

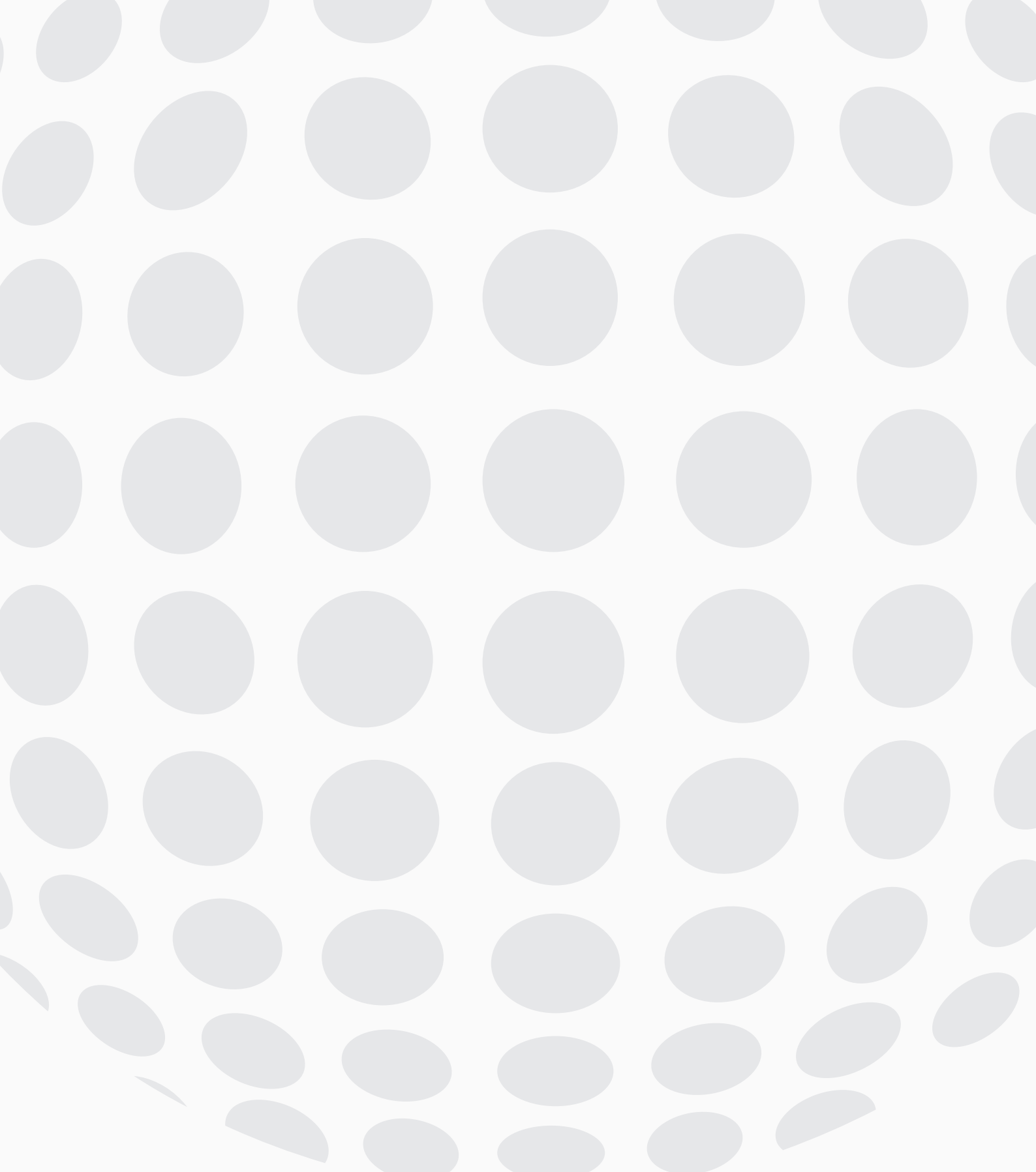
2020



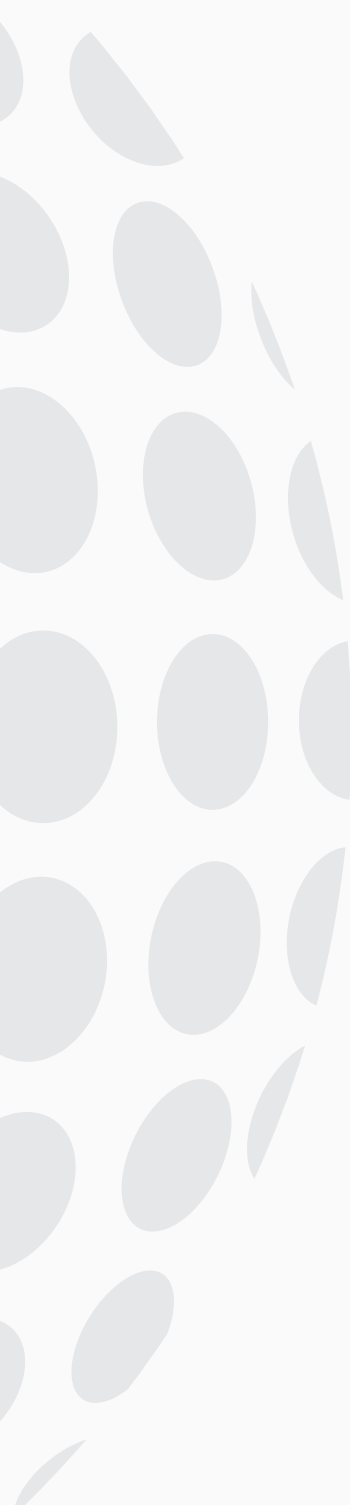
UNIVERSAL
MOTORS

CATALOGUE
UK MARKET





www.universalmotors.pt
www.universalmotors-group.es
www.universalmotors-group.co.uk

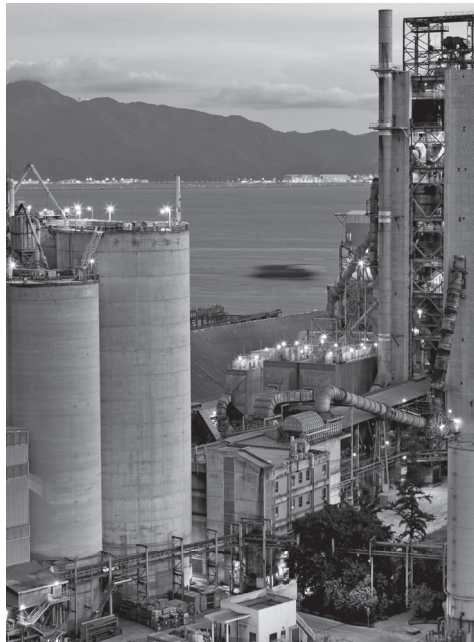
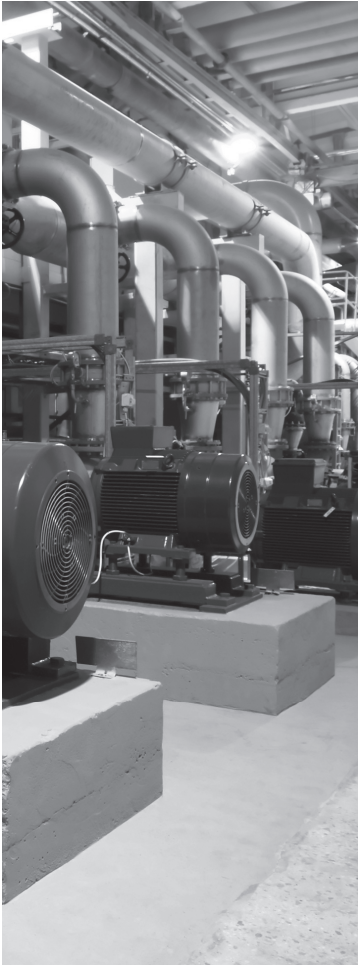


UNIVERSAL MOTORS is a Portuguese company, founded in 2004, dedicated to trading, production and technical support of electric motors, variable speed drives, control panels and gear boxes.

Our products are distributed throughout the domestic market, by our companies in England and Spain and in many other countries by specialized and qualified partners.

We continuously develop our organization and our products to provide advanced technology solutions and quality services to ensure that we are reliable and competitive.

We are aware of environmental issues, and strive to offer highly energy efficient equipment that is produced where possible using recyclable materials.



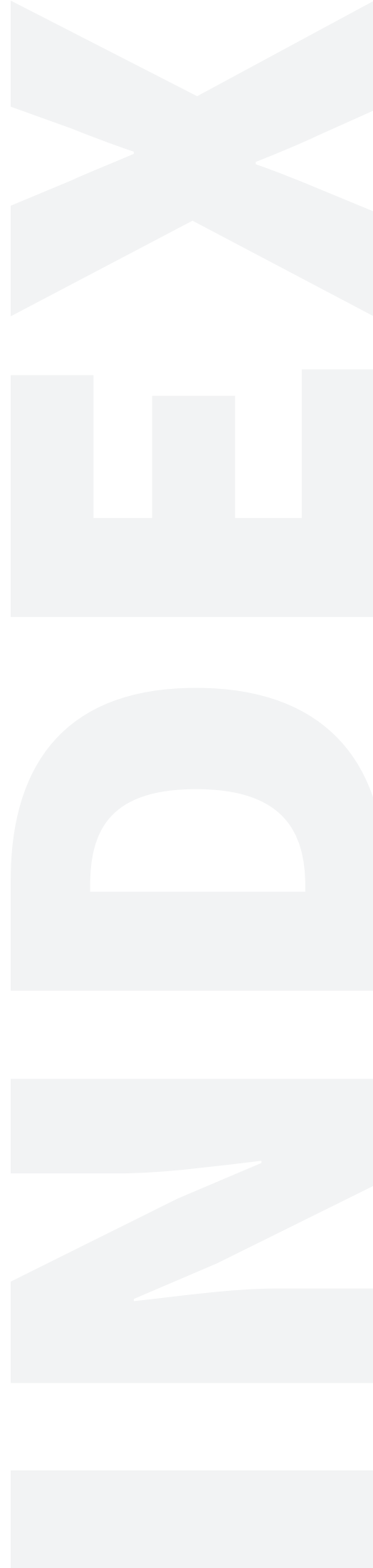
NOTE

Universal Motors reserves the right to modify data contained in this catalog.









INDEX

- 06** Universal Motors and ATEX-UMEB engine range
- 08** Reference standards and mounting arrangements
- 09** Synchronous speed
 - Voltage and frequency
 - Thermal protection
 - Effects of ambient temperature and altitude
 - Regreasing
- 10** Synchronous speed
- 12** Instructions manual
- 14** Aluminum frame motors
- 30** Cast iron frame motors
- 41** Brake motors
- 49** Flameproof motors
- 58** Inverter
- 68** Control panel





THREE PHASE ALUMINIUM FRAME MOTORS

Aluminium frame electric motors, with a light, robust and modern design. All mounting options are available. Multi-mount design allows the terminal box to be positioned on both sides of the frame as well on the top (standard option). Multi-voltage and frequency connection
 – 220-240 / 380-420V 50/60Hz
 254-277 / 440-480V 60Hz

Series	Model	Description
UM3A		Aluminium Frame 2, 4 and 6 poles IE3 Premium efficiency motors. Output range between 0.75kW and 18.5kW.
UMHA		Aluminium Frame 2, 4 and 6 poles IE2 High efficiency motors. Output range between 0.75kW and 37kW.
UMHA		Reduced frame 2, 4 and 6 poles IE2 High efficiency motors in aluminium frame. Output range between 0.75kW and 18.5kW.
UMA		Aluminium Frame 2, 4, 6 and 8 poles motors. Output range between 0.06kW and 7.5kW.
UMDA Two Speed Motors		Broad range of two speed motors with rated powers from 0.22kW to 15kW. 2/4 pole, 4/6 pole and 4/8 pole available from stock, other sizes available on short delivery.
UXA		Ex nA IIC T4 Gc / Ex tc IIIC T125°C Dc motors for zones 2 and 22 with outputs between 0.12kW and 37kW based on aluminium motors type UMHA and UM3A.




SINGLE PHASE ALUMINIUM FRAME MOTORS

Aluminium frame single phase electric motors, with a light, robust and appealing design. All the mounting options are available. The foot option allows the terminal box on both sides of the frame, as well as on the top (standard option).

Series	Model	Description
UPC		Single Phase, permanent capacitor electric motor with great starting torque. Can be equipped with electromagnetic brake. Rated range between 0.06kW and 2.2kW. Available in 2 and 4 poles.
UCC		Single phase, double capacitor electric motor 2 and 4 poles. Equipped with a centrifugal switch. This motor is adequate for heavy start applications. Output range between 0.12kW and 4kW




BRAKE MOTORS

Our brake motors are built using our standard motor design and are available with AC or DC brake. Simple low maintenance construction with high braking torque.




Series	Model	Description
BFF31 IE1		Aluminium Frame 2, 4, 6 and 8 Poles electric motors with rated powers between 0.18kW and 3kW. Braking torques available from 4Nm to 80Nm.
HEF31 IE2		Aluminium Frame 2, 4 and 6 Poles electric motors with rated powers between 0,75kW and 15kW. Braking torques available from 8Nm to 200Nm. IE2 efficiency level.
HEF30 IE2		Cast iron Frame 2, 4 and 6 Poles electric motors with rated powers between 4kW and 30kW. Braking torques available from 200Nm to 400Nm.

THREE PHASE ELECTRIC MOTORS - CAST IRON FRAME

Reliable, robust cast iron electric motors with a modern design. All mounting options are available. Top mounted terminal box, side box available with factory order. Multi voltage and frequency connection; – 220-240 / 380-420V 50/60Hz
254-277 / 440-480V 60Hz

Series	Model	Description
UM3C		IE3 Premium Efficiency 2, 4 and 6 poles motors, with rated powers ranging from 0.75 kW to 315kW.
UMHC		IE2 High Efficiency 2, 4 and 6 poles motors, with rated powers ranging from 0.75 kW to 315kW.
UMC		IE1 Efficiency level 2, 4, 6 and 8 poles motors, with rated powers ranging from 0.18kW to 200kW.

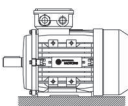
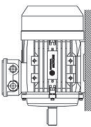
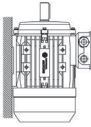
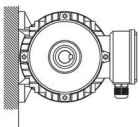
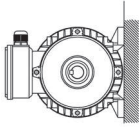
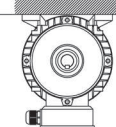
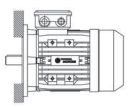
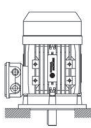
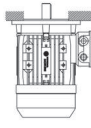
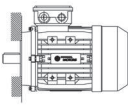
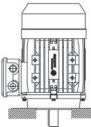
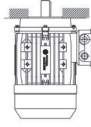
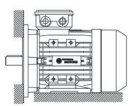
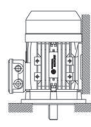
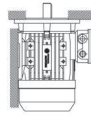
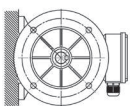
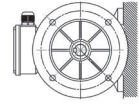
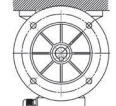
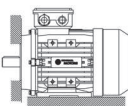
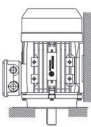
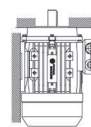
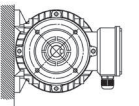

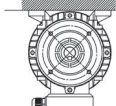
ATEX MOTORS - UMEB

Serie	Model	Description
ASA Exd		Flameproof 2, 4, 6 and 8 poles motors with rated powers from 0.09kW to 200kW. The ASA series motors can be installed on explosive atmospheres zones classified as 1 and 21, having a surface temperature class of T4 and T5. These motors are suitable for categories 2G and 2D and gas group IIC.
ASAF Exd		Flameproof 2, 4, 6 and 8 poles brakemotors with rated powers from 0.18kW to 55kW. The brakemotor is manufactured using the ASA series motors.
ASNA Ex-na		Non-sparking 2, 4, 6 and 8 poles motors with rated powers from 0.18kW to 200kW. The ASNA series motors can be installed on explosive atmospheres zones classified as 2 and 22.

REFERENCE STANDARDS

Characteristics	IEC 60034-1
Power and dimensions	IEC 60072
Protection degree	IEC 60034-5
Cooling method	IEC 60034-6
Mounting	IEC 60034-7
Insulation	IEC 60085
Terminal marking	IEC 60034-8
Noise limits	IEC 60034-9
Mechanical vibrations	IEC 60034-14

MOUNTING ARRANGEMENTS

Foot						
	B3 IM1001	V5 IM1011	V6 IM1031	B6 IM1051	B7 IM1061	B8 IM1071
Flange FF						
	B5 IM3001	V1 IM3011	V3 IM3031			
Flange FT						
	B14 IM3601	V18 IM3611	V19 IM3631			
Foot+Flange FF						
	B35 IM2001	V15 IM2011	V36 IM2031	B6/B5 IM2051	B7/B5 IM2061	B8/B5 IM2071
Foot+Flange FT						
	B34 IM2101	IM2111	IM2131	IM2151	IM2161	IM2171

SYNCHRONOUS SPEED

POLES	50Hz(RPM)	60Hz(RPM)
2	3000	3600
4	1500	1800
6	1000	1200
8	750	900
10	600	720
12	500	600

VOLTAGE AND FREQUENCY

PHASES	<=3 kW	>3 kW
3~	Δ 220-240V 50Hz Δ 250-280V 60Hz	Δ 380-415V 50Hz Δ 440-480V 60Hz
	Y 380-415V 50Hz Y 440-480V 60Hz	Y 660-690V 50Hz
1~	220-230V 50Hz	-

Other voltages and/or frequencies are available on request.

THERMAL PROTECTION

PTC	Standard in all cast iron motors >= 160.
PTO	Available to order
PT100	Available to order

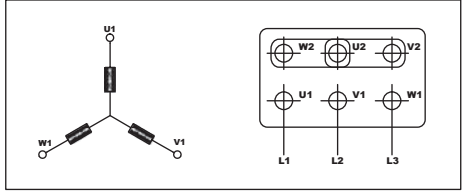
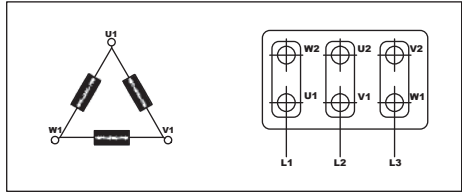
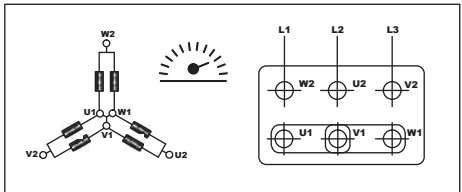
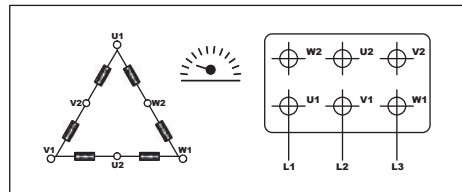
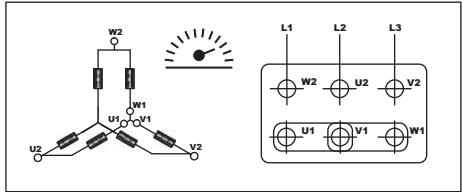
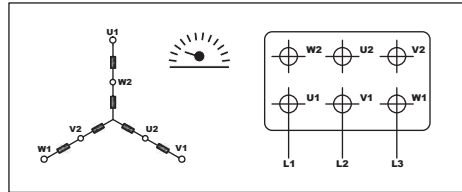
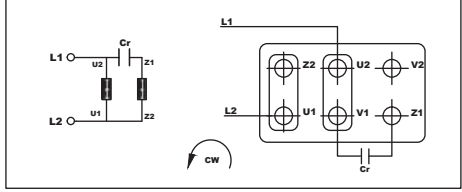
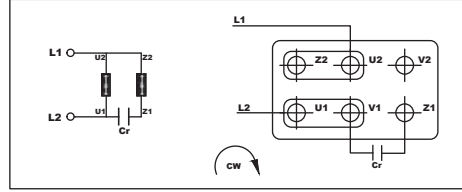
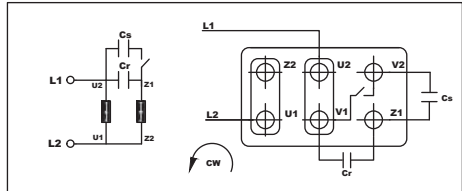
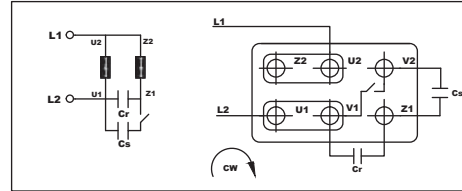
EFFECTS OF AMBIENT TEMPERATURE AND ALTITUDE

P/PN % (OF NAME PLATE POWER)

	0-40°C	45°C	50°C	55°C	60°C
1000	100	96	92	87	82
1500	97	93	89	84	79
2000	94	90	86	82	77
2500	90	86	83	78	74
3000	86	83	79	75	70

REGREASING

	GREASE	HOURS			
		3000 RPM	1500 RPM	1000 RPM	750 RPM
6309 C3	15 g	4000	6600	8600	9600
6311 C3	18 g	3800	6400	8500	9400
6312 C3	20 g	2900	6200	8200	9200
6313 C3	25 g	2800	6000	8000	9000
6314 C3	28 g	1900	5700	7800	8700
6317 C3	36 g	1800	5500	7600	8500
6319 C3	45 g	1200	5200	7200	7600
NU 319	45 g	-	5200	7200	7600
6322 C3	60 g	-	4500	6500	7300
NU 322	60 g	-	4500	6500	7300

MOTOR CONNECTIONS	THREE-PHASE MOTOR	
Y/Δ		
DAHLANDER CONSTANT TORQUE YY/Δ		
DAHLANDER VARIABLE TORQUE YY/Y		
SINGLE-PHASE MOTOR		
UPC		
UCC		

MOTOR CONNECTIONS	BRAKE MOTOR	
AC		
DC SLOW BRAKE DELAY		
DC MEDIUM BRAKE DELAY		
DC QUICK BRAKE DELAY		

INSTRUCTIONS MANUAL

INCOMING INSPECTION

On reception of the motors check for any signs of damage during transport. Check also that the motor nameplate data complies with your order specification. In the unlikely event of a claim, please contact our sales office.

TRANSPORT AND STORAGE

Should the motors need to be transported to another destination, care must be taken to prevent the motors from being exposed to harmful effects. The motors should be stored in a clean, dry and vibration free place.

MOUNTING

Assembly and installation must be carried out by qualified personnel in accordance current legislation. Rotors are dynamically balanced with half key, so therefore the coupling to be fitted on the shaft should also be balanced with half key. The coupling should be heated to approximately 80°C prior to fitting on the shaft. The shaft end is provided with axially tapped hole to aid the assembling of the coupling if required.

NOTE: Never assemble the coupling with shock impact, as this causes damage to the bearings.

If the motor is to be directly coupled to the driven machine, care must be taken to correctly align the motor, in accordance with the coupling manufacturer’s instructions to prevent undue bearing wear. The bearing life will be at its optimum the more precise the alignment.

For belt transmission, the pulley should not be too small on diameter or longer than the shaft end. Belt tensioning should not exceed the maximum recommended radial loads for the bearings. These recommendations should be adhered to prevent

START UP

If the motor have been out of service or stored for a long period of time, it is recommended that the winding resistance is measured before installation.

The insulation resistance should be measured using equipment rated for 500VDC for motor voltages up to 1000V. These measurements should be made before connecting the supply cables.

The minimum insulation resistance values should be higher as follows:

TEMPERATURE	VOLTAGE SERVICE
OF WINDING	<600v
20°C	11mΩ
30°C	9mΩ
40°C	6mΩ

Should the insulation resistance values be lower than the above, check if terminals are affected by humidity or dust and clean them as necessary.

In the event of this not being the case the motors will need to be oven dried at a temperature less than 100°C degrees.

Ensure that the motor nameplate voltage is the same as the mains supply.

Check also that the connection is made according to the required voltage supply and/or speeds connections diagrams are enclosed in the motor terminal box.

Motor Protection

We recommend motor protection using overloads and short-circuit relays.

Motors must be earthed, using either the earth screw in terminal box or fixed to the motor frame.

Maintenance

Any work carried out on the motor must be done with the motor disconnected from the supply and by qualified personnel.

Motors not equipped with lubricating nipples are fitted with sealed for life bearings which allow 20.000 hours service under normal working conditions.

Motors equipped with grease nipples are lubricated with lithium grease and must be relubricated according to the table.

WORK HOURS					
	Grease	3000	1500	1000	750
6309 C3	15 g	4000	6600	8600	9600
6311 C3	18g	3800	6400	8500	9400
6312 C3	20g	2900	6200	8200	9200
6313 C3	25g	2800	6000	8000	9000
6314 C3	28g	1900	5700	7800	8700
6317 C3	36g	1800	5500	7600	8500
6319 C3	45g	1200	5200	7200	7600
6322 C3	60g	-	5200	7200	7600
NU319	45g	-	4500	6500	7300
NU322	60g	-	4500	6500	7300

Relubrication should be carried out with the motor running, with care being taken by the personnel carrying out the service. It is recommended that the lubrication periods should be shortened if the motor is to operate under arduous conditions, high humidity or pollution, high bearing loading, excessive vibration, high ambient temperatures, etc.

The bearings should be examined every two years and replaced if necessary. Again, if motor is operating under arduous conditions the examination should be made sooner.

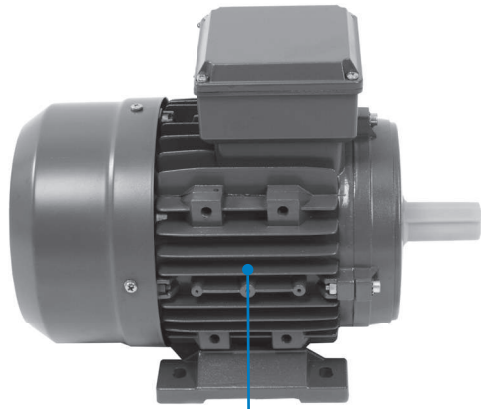
Care should also be taken to ensure that cooling air entries and surfaces are kept clean, the cleaning periods depend on the contaminants in the environment.

Whilst the bearings inspection maintenance is being carried out, a general cleaning of all active parts is suggested and, if necessary, a drying out of windings.

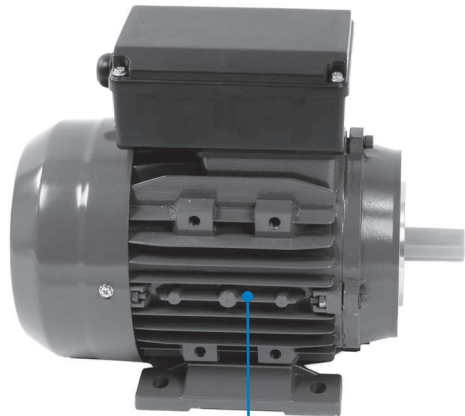
Spare Parts

To order spare parts it is necessary to indicate motor type and serial number stamped on the nameplate.

ALUMINUM FRAME MOTORS



Three Phase



Single Phase

● BEARINGS / DIMENSIONS

H	UMA/UMHA/UM3A		
	DE	NDE	BUCINS
56	6201 2Z	6201 2Z	M16
63	6201 2Z	6201 2Z	M16
71	6202 2Z	6202 2Z	M20
80	6204 2Z	6204 2Z	M20
90	6205 2Z	6205 2Z	M20
100	6206 2Z	6206 2Z	2xM20
112	6306 2Z	6206 2Z	2xM25
132	6308 2Z	6208 2Z	2xM25
160	6309 2Z	6209 2Z	2xM32
180	6311 2Z	6211 2Z	2xM40
200	6312 2Z	6212 2Z	2xM40

- ✓ Light weight
- Competitive Price
- Multi-Mount Design

3~400 V, 50Hz
IE 3

Motor Type	Output		rpm	In	Efficiency			Cos Ø	Starting		Tm/Tn	Tn	Noise	Weight
	kW	HP	min ⁻¹	A	50%	75%	100%	100%	Ta/Tn	Ia/In		N.m	Db(A)	kg
2 - Poles 3000rpm														
UM3A 80K-2	0,75	1	2805	1,60	78,7	79,5	80,7	0,83	2,3	6,8	2,3	2,6	74	10,0
UM3A 80G-2	1,1	1,5	2840	2,30	80,6	81,5	82,7	0,83	2,3	7,3	2,3	3,7	74	11,0
UM3A 90S-2	1,5	2	2855	3,10	82,1	82,9	84,2	0,84	2,3	7,6	2,3	5,0	78	14,0
UM3A 90L-2	2,2	3	2845	4,40	83,8	84,6	85,9	0,85	2,3	7,8	2,3	7,4	78	16,0
UM3A 100L-2	3	4	2880	5,70	84,9	85,8	87,1	0,87	2,3	8,1	2,3	10	82	26,0
UM3A 112M-2	4	5,5	2895	7,40	86,3	87,2	88,1	0,88	2,3	8,3	2,3	13	83	34,0
UM3A 132S-2	5,5	7,5	2920	10,10	87,4	88,3	89,2	0,88	2,2	8,0	2,3	18	85	45
UM3A 132SX-2	7,5	10	2915	13,50	88,3	89,2	90,1	0,89	2,2	7,8	2,3	25	85	52
UM3A 160M-2	11	15	2940	19,60	89,4	90,3	91,2	0,89	2,2	7,9	2,3	36	87	90
UM3A 160MX-2	15	20	2935	26,50	90,1	91,0	91,9	0,89	2,2	8,0	2,3	49	87	102
UM3A 160L-2	18,5	25	2940	32,50	90,6	91,5	92,4	0,89	2,2	8,1	2,3	60	87	115
4 - Poles 1500rpm														
UM3A 80G-4	0,75	1	1410	1,80	80,4	81,3	82,5	0,75	2,3	6,5	2,3	5,1	71	12,0
UM3A 90S-4	1,1	1,5	1435	2,50	82,0	82,8	84,1	0,75	2,3	6,6	2,3	7,3	66	15,0
UM3A 90L-4	1,5	2	1430	3,40	83,2	84,0	85,3	0,75	2,3	6,9	2,3	10	66	17,0
UM3A 100L-4	2,2	3	1450	4,50	84,5	85,4	86,7	0,81	2,3	7,5	2,3	15	70	25,0
UM3A 100LX-4	3	4	1450	6,00	85,5	86,4	87,7	0,82	2,3	7,6	2,3	20	70	30,0
UM3A 112M-4	4	5,5	1450	8,00	86,8	87,7	88,6	0,82	2,3	7,7	2,3	26	72	39,0
UM3A 132S-4	5,5	7,5	1455	10,80	87,8	88,7	89,6	0,82	2,0	7,5	2,3	36	75	51
UM3A 132M-4	7,5	10	1455	14,40	88,6	89,5	90,4	0,83	2,0	7,4	2,3	49	75	61
UM3A 160M-4	11	15	1460	20,70	89,6	90,5	91,4	0,84	2,2	7,5	2,3	72	77	92
UM3A 160L-4	15	20	1460	27,70	90,3	91,2	92,1	0,85	2,2	7,5	2,3	98	77	110
6 - Poles 1000rpm														
UM3A 90S-6	0,75	1	945	1,90	76,9	77,7	78,9	0,72	2,1	5,8	2,1	7,6	63	13,0
UM3A 90L-6	1,1	1,5	945	2,70	79,0	79,8	81,0	0,73	2,1	5,9	2,1	11	63	16,0
UM3A 100L-6	1,5	2	955	3,60	80,4	81,3	82,5	0,74	2,1	6,0	2,1	15	64	27,0
UM3A 112M-6	2,2	3	950	5,10	82,2	83,0	84,3	0,74	2,1	6,0	2,1	22	70	28,0
UM3A 132S-6	3	4	955	6,80	83,5	84,3	85,6	0,74	2,0	6,2	2,1	30	73	43
UM3A 132M-6	4	5,5	965	9,00	84,6	85,5	86,8	0,74	2,0	6,8	2,1	40	73	51
UM3A 132MX-6	5,5	7,5	965	12,00	86,2	87,1	88,0	0,75	2,0	7,1	2,1	54	73	65
UM3A 160M-6	7,5	10	970	15,80	87,3	88,2	89,1	0,77	2,1	6,7	2,1	74	73	89
UM3A 160L-6	11	15	970	22,50	88,5	89,4	90,3	0,78	2,1	7,2	2,1	108	73	109

Ta/Tn - Starting torque
Ia/In - Starting current
Tm/Tn - Maximum torque

3~400 V, 50Hz

IE 2

Motor Type	Output		rpm min ⁻¹	In A	Efficiency			Cos Ø 100%	Starting		Tm/Tn	Tn N.m	Noise Db(A)	Weight kg
	kW	HP			50%	75%	100%		Ta/Tn	Ia/In				
2 - Poles 3000rpm														
UMHA 80K-2	0,75	1	2805	1,70	77,1	77,9	77,4	0,83	2,3	6,8	2,3	2,6	74	9,5
UMHA 80G-2	1,1	1,5	2840	2,40	79,0	80,1	79,6	0,83	2,3	7,3	2,3	3,7	74	11,0
UMHA 90S-2	1,5	2	2855	3,20	80,7	81,8	81,3	0,84	2,3	7,6	2,3	5,0	78	13,5
UMHA 90L-2	2,2	3	2845	4,50	83,2	83,7	83,2	0,85	2,3	7,8	2,3	7,4	78	16,0
UMHA 100L-2	3	4	2880	5,90	84,6	85,1	84,6	0,87	2,3	8,1	2,3	10	82	25,5
UMHA 112M-2	4	5,5	2895	7,60	85,2	86,3	85,8	0,88	2,3	8,3	2,3	13	83	32,5
UMHA 132S-2	5,5	7,5	2920	10,40	86,4	87,4	87,0	0,88	2,2	8,0	2,3	18	85	45
UMHA 132SX-2	7,5	10	2915	13,80	88,5	88,6	88,1	0,89	2,2	7,8	2,3	25	85	52
UMHA 160M-2	11	15	2940	20,00	88,3	89,6	89,4	0,89	2,2	7,9	2,3	36	87	87
UMHA 160MX-2	15	20	2935	26,90	90,1	90,6	90,3	0,89	2,2	8,0	2,3	49	87	98
UMHA 160L-2	18,5	25	2940	33,00	90,7	91,3	90,9	0,89	2,2	8,1	2,3	60	87	108
UMHA 180M-2	22	30	2950	38,60	89,5	91,1	90,9	0,90	2,6	8,5	3,5	71	91	125
UMHA 200L-2	30	40	2950	52,30	91,1	92,4	92,0	0,90	2,4	8,0	3,4	97	94	149
UMHA 200LX-2	37	50	2950	64,10	89,7	91,5	92,5	0,90	2,5	8,5	3,5	120	94	160
4 - Poles 1500rpm														
UMHA 80G-4	0,75	1	1410	1,80	79,6	80,1	79,6	0,75	2,3	6,5	2,3	5,1	66	11,5
UMHA 90S-4	1,1	1,5	1435	2,60	80,4	81,9	81,4	0,75	2,3	6,6	2,3	7,3	66	15,0
UMHA 90L-4	1,5	2	1430	3,50	81,6	83,3	82,8	0,75	2,3	6,9	2,3	10	66	16,5
UMHA 100L-4	2,2	3	1450	4,70	83,4	84,8	84,3	0,81	2,3	7,5	2,3	15	70	25,0
UMHA 100LX-4	3	4	1450	6,20	85,5	86,0	85,5	0,82	2,3	7,6	2,3	20	70	29,0
UMHA 112M-4	4	5,5	1450	8,10	85,9	86,8	86,6	0,82	2,3	7,7	2,3	26	72	39,0
UMHA 132S-4	5,5	7,5	1455	11,00	87,7	88,0	87,7	0,82	2,0	7,5	2,3	36	75	51
UMHA 132M-4	7,5	10	1455	14,70	88,7	88,9	88,7	0,83	2,0	7,4	2,3	49	75	60
UMHA 160M-4	11	15	1460	21,00	89,9	89,9	89,8	0,84	2,2	7,5	2,3	72	77	90
UMHA 160L-4	15	20	1460	28,10	90,6	90,8	90,6	0,85	2,2	7,5	2,3	98	77	105
UMHA 180M-4	18,5	25	1460	34,40	90,5	91,6	91,2	0,85	2,2	7,4	3,2	121	78	105
UMHA 180L-4	22	30	1460	40,30	90,9	91,8	91,6	0,86	2,3	7,5	3,2	144	80	135
UMHA 200L-4	30	40	1470	55,20	90,8	91,8	92,3	0,86	2,8	7,6	3,1	195	82	165

According to the European Regulation No 640/2009, all electric motors with rated power between 0.75kW and 375kW installed from 01/01/2015 must have an energy efficiency level of IE3 or IE2 if installed with a variable speed drive.

Ta/Tn - Starting torque
Ia/In - Starting current
Tm/Tn - Maximum torque

3~400 V, 50Hz
IE 2

Motor Type	Output		rpm	In	Efficiency			Cos ϕ	Starting		Tm/Tn	Tn	Noise	Weight
	kW	Cv	min ⁻¹	A	50%	75%	100%	100%	Ta/Tn	Ia/In		N.m	Db(A)	kg
UMHA 80-4P	1,1	1,5	1420	2,73	79,5	81,7	81,2	0,72	3,2	5,8	3,2	7,4	58	13,0
UMHA 90L-4P	2,2	3	1430	5,07	84,9	85,5	84,2	0,74	3,4	6,5	3,2	14,7	61	17,0
UMHA 100L-4P	4	5,5	1445	8,28	86,6	87,5	86,7	0,80	2,9	7,2	3,3	26,4	64	23,0
UMHA 112M-4P	5,5	7,5	1435	11,25	88,3	88,8	87,9	0,80	3,8	8,3	3,6	36,6	65	31,0
UMHA 132L-4P	11	15	1460	20,58	90,8	91,2	90,5	0,85	3,3	9,2	3,6	72	71	60
6 - Poles 1000rpm														
UMHA 90S-6	0,75	1	945	2,00	73,9	76,0	75,9	0,72	2,1	5,8	2,1	7,6	63	13,0
UMHA 90L-6	1,1	1,5	945	2,80	76,2	78,2	78,1	0,73	2,1	5,9	2,1	11	63	16,0
UMHA 100L-6	1,5	2	955	3,70	79,8	80,0	79,8	0,74	2,1	6,0	2,1	15	64	27,0
UMHA 112M-6	2,2	3	950	5,20	81,8	81,9	81,8	0,74	2,1	6,0	2,1	22	70	30,0
UMHA 132S-6	3	4	955	7,00	83,1	83,5	83,3	0,74	2,0	6,2	2,1	30	73	43
UMHA 132M-6	4	5,5	965	9,20	84,4	84,7	84,6	0,74	2,0	6,8	2,1	40	73	51
UMHA 132MX-6	5,5	7,5	965	12,30	85,8	86,0	86,0	0,75	2,0	7,0	2,1	54	73	65
UMHA 160M-6	7,5	10	970	16,10	87,1	87,4	87,2	0,77	2,1	6,7	2,1	74	73	89
UMHA 160L-6	11	15	970	22,90	88,4	88,8	88,7	0,78	2,1	7,2	2,1	108	73	109
UMHA 180L-6	15	20	975	28,90	88,4	89,9	88,7	0,83	1,9	7,5	2,9	147	79	130
UMHA 200L-6	18,5	25	975	35,60	88,7	89,7	90,4	0,83	2,2	6,3	2,7	181	82	140
UMHA 200LX-6	22	30	975	41,60	89,3	91,2	90,9	0,83	2,3	6,2	2,6	215	82	160
UMHA 80-6P	0,75	1	930	2,21	71,8	75,9	76,4	0,64	3,1	4,5	3	8	56	12,0
UMHA 90L-6P	1,5	2	930	3,96	77,9	79,7	78,3	0,70	3,1	5,2	2,9	15	59	17,0
UMHA 100L-6P	2,2	3	950	5,34	81,8	83,3	82,5	0,72	2,5	5,4	2,7	22	61	21,0
UMHA 112M-6P	3	4	950	7,21	83,4	84,5	83,4	0,72	2,3	5,6	2,9	30	64	33,0
UMHA 132M-6P	7,5	10	970	16,00	88,4	89,2	88,6	0,76	3,2	7,9	3,2	74	68	50

According to the European Regulation No 640/2009, all electric motors with rated power between 0.75kW and 375kW installed from 01/01/2015 must have an energy efficiency level of IE3 or IE2 if installed with a variable speed drive.

Motor Type	Output		rpm	In	Efficiency 4/4	Cos Ø	Starting		Tm/Tn	Tn	Noise	Weight
	kW	Cv	min ⁻¹	A	%	4/4	Ta/Tn	Ia/In		N.m	Db(A)	kg
2 - Poles 3000rpm												
UMA 56K-2	0,09	0,12	2800	0,31	62,0	0,68	2,3	6,0	2,4	0,31	58	4,6
UMA 56G-2	0,12	0,16	2800	0,37	67,0**	0,71	2,3	6,0	2,4	0,41	58	4,8
UMA 63K-2	0,18	0,25	2800	0,50	69,0**	0,75	2,2	6,0	2,4	0,61	59	5,0
UMA 63G-2	0,25	0,33	2800	0,65	72,0**	0,78	2,2	6,0	2,4	0,85	61	5,3
UMA 71K-2	0,37	0,5	2800	0,91	73,5**	0,80	2,2	6,0	2,4	1,3	64	6,5
UMA 71G-2	0,55	0,75	2800	1,29	75,5**	0,82	2,2	6,0	2,4	1,9	64	7,0
Reduced frame S3 -70% ≥ 0,75 kW												
UMA 56-2P	0,18	0,25	2750	0,56	65,0*	0,72	2,2	6,0	2,4	0,62	59	5,0
UMA 63-2P	0,37	0,5	2710	1,05	65,0	0,78	2,2	6,0	2,4	1,3	62	5,5
UMA 71-2P	0,75	1	2730	1,83	72,0	0,82	2,2	6,0	2,4	2,6	65	7,3
UMA 112M-2PX	7,5	10	2910	14,10	88,0	0,87	3,8	10,3	4,2	23,1	78	37
4 - Poles 1500rpm												
UMA 56K-4	0,06	0,08	1400	0,25	56,0	0,61	2,3	6,0	2,4	0,41	50	4,6
UMA 56G-4	0,09	0,12	1400	0,36	58,0	0,63	2,3	6,0	2,4	0,61	50	4,8
UMA 63K-4	0,12	0,16	1400	0,44	60,0*	0,66	2,2	6,0	2,4	0,82	52	4,8
UMA 63G-4	0,18	0,25	1400	0,60	64,0	0,68	2,2	6,0	2,4	1,2	52	5,0
UMA 71K-4	0,25	0,33	1400	0,75	67,0	0,72	2,2	6,0	2,4	1,7	55	6,3
UMA 71G-4	0,37	0,5	1400	1,06	69,5	0,73	2,2	6,0	2,4	2,5	55	7,0
UMA 80K-4	0,55	0,75	1400	1,45	73,5	0,75	2,2	6,0	2,4	3,8	58	9,5
Reduced frame S3 -70% ≥ 0,75 kW												
UMA 56-4P	0,12	0,16	1320	0,53	52,0	0,63	2,2	6,0	2,2	0,87	51	5,0
UMA 63-4P	0,25	0,33	1350	0,91	60,0	0,66	2,2	6,0	2,4	1,7	54	5,2
UMA 71-4P	0,55	0,75	1380	1,60	66,0	0,75	2,2	6,0	2,2	3,8	57	7,3

* Complies with the energy efficiency level IE2 according to the standard IEC / EN 60034-30-1: 2014

** Complies with the energy efficiency level IE3 according to the standard IEC / EN 60034-30-1: 2014

Ta/Tn - Starting torque
Ia/In - Starting current
Tm/Tn - Maximum torque

3~400 V, 50Hz
IE 1

Motor Type	Output		rpm	In	Efficiency 4/4	Cos Ø	Starting		Tm/Tn	Tn	Noise	Weight
	kW	CV	min ⁻¹	A	%	4/4	Ta/Tn	Ia/In		N.m	Db(A)	
6 - Poles 1000rpm												
UMA 63K-6	0,09	0,12	840	0,51	42,0	0,61	2,0	3,5	2	1,0	50	4,2
UMA 63G-6	0,12	0,16	850	0,62	45,0	0,62	2,0	3,5	2	1,3	50	4,8
UMA 71K-6	0,18	0,25	900	0,69	59,0*	0,64	2,0	5,5	2,0	1,9	52	6,1
UMA 71G-6	0,25	0,33	900	0,90	63,0*	0,64	2,0	5,5	2,0	2,7	52	6,7
UMA 80K-6	0,37	0,5	900	1,21	68,0*	0,65	1,8	5,5	2,0	3,9	56	9,2
UMA 80G-6	0,55	0,75	900	1,60	71,0	0,70	1,8	5,5	2,0	5,8	56	10,5
Reduced frame S3 -70% ≥ 0,75 kW												
UMA 71-6P	0,37	0,5	890	1,27	61,0	0,69	2,0	4,0	2,1	4	54	7,2
UMA 80-6P	0,75	1	900	2,21	68,0	0,72	2,0	4,0	2,3	8	58	11,3
8 - Poles 750rpm												
UMA 71K-8	0,09	0,12	700	0,48	49,0	0,55	1,9	4,5	1,9	1,2	50	6,0
UMA 71G-8	0,12	0,16	700	0,61	52,0**	0,55	1,9	4,5	1,9	1,6	50	6,5
UMA 80K-8	0,18	0,25	700	0,82	58,0*	0,55	1,9	4,5	1,9	2,5	52	9,0
UMA 80G-8	0,25	0,33	700	1,04	62,0*	0,56	1,9	4,5	1,9	3,4	52	10,3
UMA 90S-8	0,37	0,5	700	1,44	62,0*	0,60	1,9	4,5	1,9	5,0	56	14,2
UMA 90L-8	0,55	0,75	700	2,04	63,0*	0,62	1,9	4,5	1,9	7,5	56	16,5
UMA 100L-8	0,75	1	700	2,29	71,0*	0,67	2,0	4,0	2	10	59	22,3
UMA 100LX-8	1,1	1,5	700	3,17	73,0*	0,69	2,0	5,0	2	15	58	24,5
UMA 112M-8	1,5	2	700	4,20	75,0*	0,69	2,0	5,0	2	20	61	28,0
UMA 132S-8	2,2	3	710	5,25	85,5**	0,71	2,0	5,5	2	30	64	39,0
UMA 132M-8	3	4	710	7,36	82,0*	0,72	2,0	5,5	2	40	64	45,0

* Complies with the energy efficiency level IE2 according to the standard IEC / EN 60034-30-1: 2014

** Complies with the energy efficiency level IE3 according to the standard IEC / EN 60034-30-1: 2014

Ta/Tn - Starting torque
Ia/In - Starting current
Tm/Tn - Maximum torque

3~400 V, 50Hz

Motor Type	Output		rpm		In		Efficiency 4/4		Cos Ø		Starting				Tm/Tn	Tn		Weight	
	kW	kVA	min ⁻¹	min ⁻¹	A	A	%	%	4/4	4/4	Ta/Tn	Ia/In	N.m	N.m		Kg			
2/4 Poles 3000/1500 rpm constant torque																			
UMDA 71 M1 2/4	0,3	0,22	2750	1350	0,90	0,79	60,0	55,0	0,80	0,73	1,7	1,7	3,5	3,5	1,9	1,9	1,04	1,56	5,6
UMDA 71 M2 2/4	0,45	0,30	2790	1380	1,29	1,02	63,0	58,0	0,80	0,73	2,0	2,0	4,0	4,0	2	2	1,54	2,08	6,2
UMDA 80 M1 2/4	0,55	0,45	2800	1380	1,45	1,35	65,0	64,0	0,84	0,75	2,0	2,0	4,5	4,5	2,1	2,1	1,88	3,11	9,0
UMDA 80 M2 2/4	0,75	0,6	2800	1400	1,88	1,65	67,0	68,0	0,86	0,77	1,8	1,8	4,5	4,5	2	2	2,56	4,09	10,0
UMDA 90 S1 2/4	1,25	0,95	2820	1400	2,91	2,46	72,0	68,0	0,86	0,82	2,0	2,0	5,0	5,0	2	2	4,23	6,48	12,1
UMDA 90 L1 2/4	1,7	1,32	2830	1400	3,91	3,28	73,0	70,0	0,86	0,83	2,0	2,0	5,0	5,0	2	2	5,74	9,00	14,6
UMDA 100 L1 2/4	2,4	1,84	2830	1410	5,52	4,21	73,0	76,0	0,86	0,83	2,0	2,0	5,5	5,0	2	2	8,10	12,46	21,0
UMDA 100 L2 2/4	3,3	2,6	2840	1420	7,48	5,66	74,0	78,0	0,86	0,85	2,0	1,9	5,5	5,0	2	1,9	11,10	17,19	24,7
UMDA 112 M1 2/4	4,5	4	2860	1430	9,92	8,50	77,0	79,0	0,85	0,86	2,0	1,8	5,5	5,0	2,2	2	15,03	26,71	30,5
UMDA 132 S1 2/4	6	5	2860	1440	13,05	10,23	79,0	82,0	0,84	0,86	2,0	1,5	5,5	5,5	2,2	1,9	20,03	33,16	40,4
UMDA 132 M2 2/4	8	6,6	2870	1440	16,76	13,09	82,0	84,0	0,84	0,86	2,0	2,0	6,0	6,0	2,2	2,2	26,62	43,77	49,6
2/8 - Poles 3000/750rpm constant torque																			
UMDA 71 M2 2/8	0,25	0,06	2720	650	0,77	0,59	62,0	28,0	0,76	0,52	1,7	2,0	3,5	2,5	1,8	2	0,88	0,88	6,2
UMDA 80 M1 2/8	0,37	0,08	2760	660	1,08	0,73	65,0	33,0	0,76	0,48	1,7	2,0	3,5	2,5	1,9	2,1	1,28	1,16	9,0
UMDA 80 M2 2/8	0,55	0,11	2780	670	1,52	0,91	67,0	35,0	0,78	0,50	1,7	2,0	4,0	3,0	1,9	2,2	1,89	1,57	10,0
UMDA 90 S1 2/8	0,75	0,18	2800	670	2,05	1,16	67,0	43,0	0,79	0,52	1,8	2,0	4,0	3,0	2	2,3	2,56	2,57	12,1
UMDA 90 L1 2/8	1,1	0,3	2810	680	2,96	1,78	67,0	45,0	0,80	0,54	1,8	2,0	4,0	3,5	2	2,3	3,74	4,21	14,6
UMDA 100 L1 2/8	1,5	0,35	2820	700	3,85	1,91	67,0	50,0	0,84	0,56	1,7	2,1	5,0	3,5	2	2,6	5,08	5,05	21,0
UMDA 100 L2 2/8	2,2	0,55	2820	710	5,49	2,68	68,0	51,0	0,85	0,58	1,8	2,2	5,0	3,5	2	2,6	7,45	7,40	24,7
UMDA 112 M1 2/8	2,6	0,75	2840	710	6,15	3,11	71,0	58,0	0,86	0,60	1,8	1,8	5,5	4,0	1,9	1,9	8,74	10,09	30,5
UMDA 112 M1 2/8	3	0,9	2850	710	6,71	3,56	75,0	63,0	0,83	0,58	1,7	2,0	6,5	4,5	1,9	2,2	10,05	12,10	33,0
UMDA 132 S1 2/8	3,7	1,1	2890	710	7,94	4,29	81,0	65,0	0,83	0,57	1,7	1,7	7,0	5,0	1,9	1,9	12,22	14,80	40,4
UMDA 132 M1 2/8	5,5	1,5	2900	720	11,39	5,75	82,0	66,0	0,85	0,57	1,8	1,8	7,0	5,0	1,9	1,9	18,11	19,90	49,6
4/6 - Poles 1500/1000rpm constant torque																			
UMDA 71 M2 4/6	0,22	0,15	1400	910	0,81	0,64	55,0	50,0	0,71	0,68	1,8	1,9	3,5	3,2	1,9	2	1,50	1,57	6,2
UMDA 80 M1 4/6	0,3	0,22	1400	910	0,98	0,84	60,0	55,0	0,74	0,69	2,0	1,8	4,5	4,0	2	2	2,05	2,31	9,0
UMDA 80 M2 4/6	0,45	0,3	1410	920	1,37	1,07	63,0	58,0	0,75	0,70	2,0	1,8	4,5	4,0	2	2	3,05	3,11	10,0
UMDA 90 S1 4/6	0,66	0,45	1410	920	1,90	1,64	66,0	61,0	0,76	0,65	1,7	1,7	5,0	4,5	2	2	4,47	4,67	12,1
UMDA 90 L1 4/6	0,88	0,6	1420	930	2,36	2,02	70,0	64,0	0,77	0,67	1,7	1,7	5,0	4,5	2	2	5,92	6,16	14,6
UMDA 100 L1 4/6	1,32	0,88	1420	940	3,11	2,30	72,0	67,0	0,85	0,75	1,8	1,8	6,0	5,0	2	2	8,88	8,94	21,0
UMDA 100 L2 4/6	1,76	1,2	1430	950	4,04	3,30	74,0	70,0	0,85	0,75	1,8	1,8	6,0	5,0	2	2	11,75	12,06	24,7
UMDA 112 M1 4/6	2,2	1,5	1430	950	5,22	4,42	76,0	70,0	0,80	0,70	2,0	1,8	6,0	5,0	2,2	2,2	14,69	15,00	30,5
UMDA 132 S1 4/6	3,3	2,2	1440	960	7,17	5,65	82,0	78,0	0,81	0,72	2,0	2,0	7,0	6,0	2,2	2,2	21,90	21,90	40,4
UMDA 132 M1 4/6	4,5	3	1450	970	9,54	7,31	83,0	80,0	0,82	0,74	2,0	2,0	7,0	6,0	2,3	2,3	29,60	29,50	49,6

Ta/Tn - Starting torque
Ia/In - Starting current
Tm/Tn - Maximum torque

3~400 V, 50Hz

Motor Type	Output		rpm		In		Efficiency 4/4		Cos Ø		Starting				Tm/Tn	Tn		Weight Kg	
	kW	kVA	min ⁻¹	min ⁻¹	A	A	%	%	4/4	4/4	Ta/Tn	Ia/In	N.m	N.m					
4/8 - Poles 1500/750rpm constant torque																			
UMDA 80 M1 4/8	0,25	0,15	1380	680	0,81	0,90	58,0	40,0	0,77	0,60	2,0	2,0	4,5	3,0	2	2	1,73	2,10	9,0
UMDA 80 M2 4/8	0,45	0,25	1390	685	1,19	1,25	68,0	48,0	0,80	0,60	1,8	2,0	4,5	3,0	2	2	3,09	3,49	10,0
UMDA 90 S1 4/8	0,55	0,3	1400	690	1,41	1,42	68,0	50,0	0,83	0,61	1,8	2,0	4,5	3,5	2	2	3,75	4,15	12,1
UMDA 90 L1 4/8	0,8	0,45	1400	690	2,05	1,95	68,0	53,0	0,83	0,63	1,8	1,6	4,0	3,0	1,9	1,8	5,46	6,23	14,6
UMDA 100 L1 4/8	1,25	0,6	1400	700	3,19	2,86	69,0	54,0	0,82	0,56	1,8	2,0	5,0	3,5	2	2	8,53	8,16	21,0
UMDA 100 L2 4/8	1,76	0,88	1400	700	4,26	3,91	71,0	58,0	0,84	0,56	1,8	2,0	5,5	4,0	2	2	12,00	12,00	24,7
UMDA 112 M1 4/8	2,2	1,5	1420	700	5,16	5,54	75,0	64,0	0,82	0,61	2,0	2,0	6,0	4,0	2	2	14,80	20,46	30,5
UMDA 132 S1 4/8	3,3	2,2	1430	705	7,27	7,09	78,0	70,0	0,84	0,64	2,0	2,0	6,0	5,0	2	2	22,04	29,80	40,4
UMDA 132 M1 4/8	4,5	3	1430	705	9,32	8,65	82,0	77,0	0,85	0,65	2,0	2,0	6,0	5,0	2	2	30,05	40,64	49,6
4/8 - Poles 1500/750rpm variable torque																			
UMDA 71 M1 4/8	0,25	0,03	1370	705	1,13	0,37	60,0	48,0	0,71	0,45	1,9	2,3	4,0	2,8	2,5	3	1,70	0,42	6,0
UMDA 71 M2 4/8	0,37	0,04	1370	705	1,14	0,38	65,0	50,0	0,71	0,45	1,9	2,3	4,0	2,8	2,5	3	2,50	0,56	6,5
UMDA 80 M1 4/8	0,55	0,09	1410	710	1,77	0,61	70,0	53,5	0,70	0,49	1,9	2,3	4,0	2,8	2,5	3,3	3,75	1,25	9,3
UMDA 80 M1 4/8	0,75	0,12	1400	710	2,03	0,68	73,0	58,0	0,75	0,48	2,0	2,3	4,3	2,9	2,5	3,2	5,12	1,66	10,0
UMDA 90 S1 4/8	1,1	0,18	1400	710	2,67	1,08	75,0	59,5	0,79	0,48	2,0	2,6	4,6	2,6	2,8	3,3	7,50	2,53	14,3
UMDA 90 L1 4/8	1,5	0,25	1400	710	3,46	1,27	76,5	62,0	0,82	0,49	2,6	2,7	4,8	2,8	2,9	3,3	10,16	3,51	17,2
UMDA 100 L1 4/8	2,2	0,37	1430	720	4,96	1,86	81,0	71,0	0,80	0,46	2,5	2,1	6,0	3,3	3	3,2	14,69	4,98	23,0
UMDA 100 L2 4/8	3	0,55	1430	710	6,53	2,33	81,5	72,5	0,82	0,51	2,6	1,8	6,2	3,2	2,8	2,8	20,03	7,40	25,0
UMDA 112 M1 4/8	4	0,75	1440	710	8,15	2,74	84,0	76,5	0,85	0,54	2,3	1,7	6,3	3,0	2,7	2,5	26,53	10,09	33,0
UMDA 132 S1 4/8	5,5	1,1	1450	710	10,73	3,82	86,0	77,0	0,86	0,54	2,2	1,7	6,5	3,0	2,7	2,2	36,22	14,80	40,4
UMDA 132 M1 4/8	7,5	1,5	1450	720	14,47	5,11	87,0	77,0	0,86	0,55	2,2	1,7	6,8	3,0	2,7	2,2	49,40	19,90	49,6

Ta/Tn - Starting torque
Ia/In - Starting current
Tm/Tn - Maximum torque

1~230 V, 50Hz

Motor Type	Output		rpm min ⁻¹	In A	Efficiency 4/4 %	Cos Ø 4/4	Starting		Tm/Tn	Tn N.m	Weight kg
	kW	CV					Ta/Tn	Ia/In			
2 - Poles 3000rpm											
UPC 56K-2	0,09	0,12	2800	0,75	56,0	0,92	0,50	4,0	1,7	0,31	2,5
UPC 56G-2	0,12	0,16	2800	0,94	60,0	0,92	0,50	4,3	1,7	0,41	3,0
UPC 63K-2	0,18	0,25	2800	1,31	65,0	0,92	0,40	3,5	1,7	0,61	4,2
UPC 63G-2	0,25	0,33	2800	1,79	66,0	0,92	0,40	3,7	1,7	0,85	4,5
UPC 71K-2	0,37	0,5	2800	2,61	67,0	0,92	0,35	3,8	1,7	1,26	5,7
UPC 71G-2	0,55	0,75	2800	3,71	70,0	0,92	0,35	4,0	1,7	1,88	6,7
UPC 80K-2	0,75	1	2800	4,93	72,0	0,92	0,33	4,0	1,7	2,56	9,3
UPC 80G-2	1,1	1,5	2800	6,71	75,0	0,95	0,33	4,5	1,7	3,75	10,6
UPC 90S-2	1,5	2	2800	9,03	76,0	0,95	0,30	5,0	1,7	5,12	13,0
UPC 90L-2	2,2	3	2800	13,08	77,0	0,95	0,30	5,0	1,7	7,51	16,0
UPC 100L-2	3	4	2800	17,8	79,0	0,95	0,30	4,9	1,7	10,24	25,0
4 - Poles 1500rpm											
UPC 56K-4	0,06	0,08	1400	0,58	50,0	0,90	0,45	3,4	1,7	0,41	2,8
UPC 56G-4	0,09	0,12	1400	0,83	52,0	0,90	0,45	3,6	1,7	0,61	3,4
UPC 63K-4	0,12	0,16	1400	1,01	57,0	0,90	0,40	3,3	1,7	0,82	4,0
UPC 63G-4	0,18	0,25	1400	1,33	59,0	0,90	0,40	3,2	1,7	1,23	4,5
UPC 71K-4	0,25	0,33	1400	1,93	61,0	0,92	0,35	3,6	1,7	1,71	5,5
UPC 71G-4	0,37	0,5	1400	2,82	62,0	0,92	0,35	3,5	1,7	2,53	6,5
UPC 80K-4	0,55	0,75	1400	4,07	64,0	0,92	0,35	3,7	1,7	3,75	9,1
UPC 80G-4	0,75	1	1400	5,21	68,0	0,92	0,32	3,8	1,7	5,12	10,4
UPC 90S-4	1,1	1,5	1400	7,13	71,0	0,95	0,32	4,2	1,7	7,51	13,0
UPC 90L-4	1,5	2	1400	9,4	73,0	0,95	0,30	4,8	1,7	10,24	16,0
UPC 100L-4	2,2	3	1440	13,6	76,0	0,95	0,30	4,8	1,7	14,60	22,0

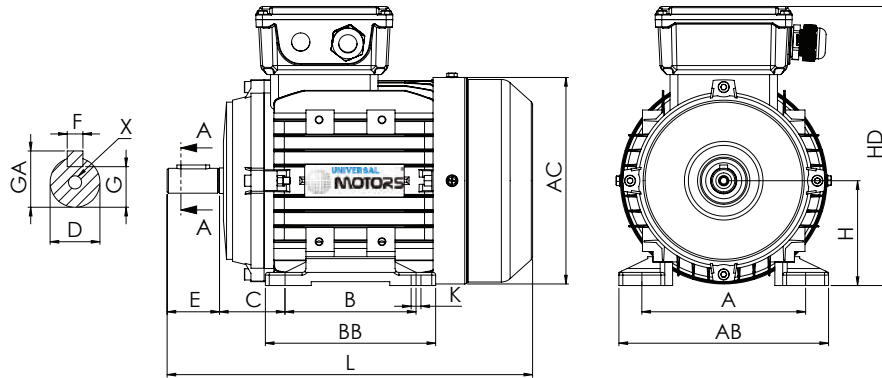
Ta/Tn - Starting torque
Ia/In - Starting current
Tm/Tn - Maximum torque

1~230 V, 50Hz

Motor Type	Output		rpm	In	Efficiency 4/4	Cos Ø	Starting		Tm/Tn	Tn	Weight
	kW	CV	min ⁻¹	A	%	4/4	Ta/Tn	Ia/In		N.m	
2 - Poles 3000rpm											
UCC 63K- 2	0,18	0,25	2800	1,43	60,0	0,92	1,80	4,9	1,8	0,61	3,9
UCC 63G- 2	0,25	0,33	2800	1,91	63,0	0,92	1,80	5,2	1,8	0,85	4,3
UCC 71K- 2	0,37	0,5	2800	2,73	67,0	0,92	2,30	5,9	1,8	1,26	5,8
UCC 71G- 2	0,55	0,75	2800	3,4	73,0	0,95	2,50	5,4	1,8	1,88	6,8
UCC 80K- 2	0,75	1	2800	4,7	73,0	0,95	2,50	5,8	1,8	2,56	9,6
UCC 80G- 2	1,1	1,5	2800	7,02	75,0	0,95	2,50	5,7	1,8	3,75	11,3
UCC 90S-2	1,5	2	2800	9,44	76,0	0,95	2,50	5,8	1,8	5,12	13,0
UCC 90L-2	2,2	3	2800	13,67	77,0	0,95	2,50	5,9	1,8	7,51	16,0
UCC 100L-2	3	4	2900	18,2	79,0	0,95	2,20	6,0	1,8	9,88	26,0
UCC 112M-2	4	5	2900	22,5	78,0	0,95	1,80	6,5	1,8	12,37	32,0
4 - Poles 1500rpm											
UCC 63K- 4	0,12	0,16	1400	1,24	50,0	0,90	1,80	4,8	1,8	0,82	4,1
UCC 63G- 4	0,18	0,25	1400	1,43	56,0	0,90	1,80	5,6	1,8	1,23	4,9
UCC 71K- 4	0,25	0,33	1400	1,99	62,0	0,92	2,50	6,0	1,8	1,71	5,8
UCC 71G- 4	0,37	0,5	1400	2,81	65,0	0,92	2,50	5,7	1,8	2,53	6,8
UCC 80K- 4	0,55	0,75	1400	4	68,0	0,92	2,50	5,3	1,8	3,75	9,1
UCC 80G- 4	0,75	1	1400	5,22	71,0	0,92	2,50	4,8	1,8	5,12	10,4
UCC 90S-4	1,1	1,5	1400	7,2	73,0	0,95	2,50	5,6	1,8	7,51	13,0
UCC 90L-4	1,5	2	1400	9,57	75,0	0,95	2,50	5,2	1,8	10,24	16,0
UCC 100L-4	2,2	3	1400	13,9	76,0	0,95	2,50	5,8	1,8	15,02	26,0
UCC 100LX-4	3	4	1400	18,6	77,0	0,95	2,50	5,4	1,8	20,48	31,0
UCC 112M-4	4	5	1400	22	79,0	0,95	2,50	5,9	1,8	24,50	35,0

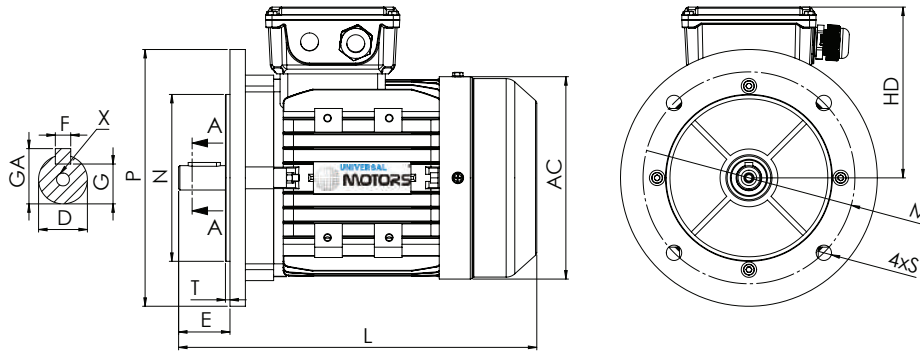
Ta/Tn - Starting torque
Ia/In - Starting current
Tm/Tn - Maximum torque

IM1001(B3)



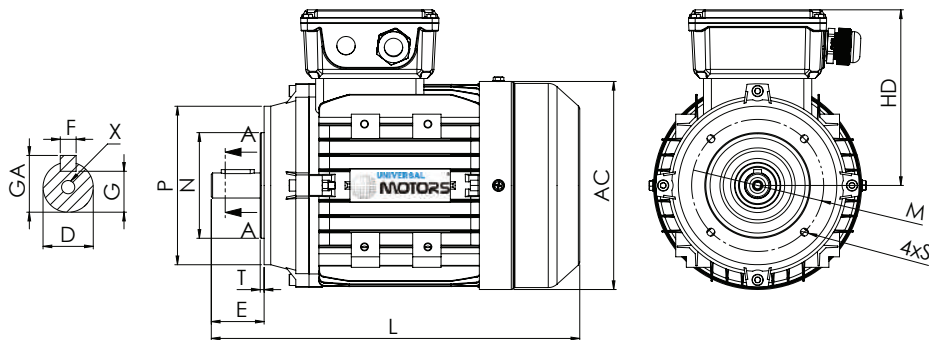
Motor Type	Foot					Shaft						Frame				
	H	A	B	C	K	D	E	F	G	GA	X	AB	BB	AC	HD	L
UMA 56	56	90	71	36	5,8	9 j6	20	3	7,2	10,2	M3x9	110	89	117	158	198
UMA 63	63	100	80	40	7	11 j6	23	4	8,5	12,5	M4x10	120	103	128	175	218
UMA 71	71	112	90	45	7	14 j6	30	5	11	16	M5x12	132	105	147	190	250
UMA 80 / UMHA 80	80	125	100	50	10	19 j6	40	6	15,5	21,5	M6x16	160	130	165	217	278
UM3A 80																293
UMA / UMHA 90S-2	90	140	100	56	10	24 j6	50	8	20	27	M8x19	175	182	235	296	313
UMHA 90S-4+ / UM3A																322
UMHA 90L-2																313
UMHA 90L-4+ / UM3A																368
UMA / UMHA 100L	100	160	140	63	12	28 j6	60	8	24	31	M10x22	198	176	205	252	384
UMHA 100LX4 / UM3A																390
UMA / UMHA 112M	112	190	140	70	12	28 j6	60	8	24	31	M10x22	220	180	230	286	400
UMA 112M-2PX / UM3A 112M-4																439
UMA / UMHA / UM3A 132S-2 / 132S-6	132	216	140	89	12	38 k6	80	10	33	41	M12x28	252	176	265	324	477
UM3A 132SX-2 / 132S-4																477
UMA / UMHA / UM3A 132M-6	132	216	178	89	12	38 k6	80	10	33	41	M12x28	252	214	265	324	477
UM3A 132M-4 / 132MX-6																503
UMA 160M/L / UMHA 160M/L / UM3A 160M / 160L-6	160	254	210	108	15	42 k6	110	12	37	45	M16x36	290	294	326	390	610
UM3A 160L-2 / 160L-4			254													636
UMHA 180M	180	279	241	121	15	48 k6	110	14	42,5	52	M16x36	340	331	368	440	730
UMHA 180L			279													
UMHA 200	200	318	305	133	19	55m6	110	16	49	59	M20x42	390	377	368	458	745

IM3001(B5)

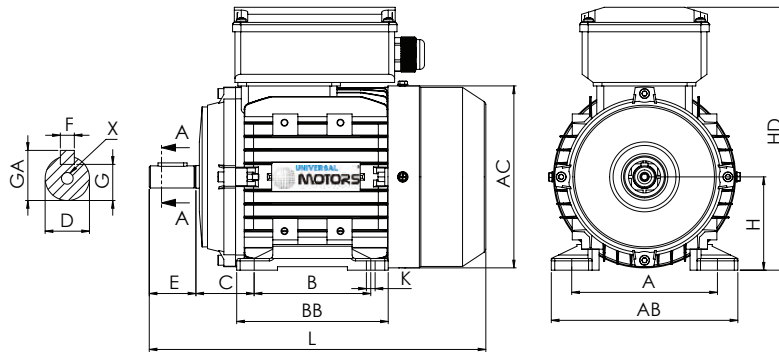


Motor Type	Flange					Flange B5R					Shaft					Frame			
	M	N	P	S	T	M	N	P	S	T	D	E	F	G	GA	X	AC	HD	L
UMA 56	98	80	120	7	3	-	-	-	-	-	9 j6	20	3	7,2	10,2	M3x9	117	102	198
UMA 63	115	95	140	10	3	-	-	-	-	-	11 j6	23	4	8,5	12,5	M4x10	128	112	218
UMA 71	130	110	160	10	3,5	115	95	140	10	3	14 j6	30	5	11	16	M5x12	147	119	250
UMA 80 / UMHA 80	165	130	200	12	3,5	130	110	160	10	3,5	19 j6	40	6	15,5	21,5	M6x16	165	137	278
UM3A 80																			293
UMA / UMHA 90S-2	165	130	200	12	3,5	130	110	160	12	3,5	24 j6	50	8	20	27	M8x19	182	145	296
UMHA 90S-4+ / UM3A																			313
UMHA 90L-2																			322
UMHA 90L-4+ / UM3A																			313
UMA / UMHA 100L	215	180	250	15	4	165	130	200	12	3,5	28 j6	60	8	24	31	M10x22	205	152	368
UMHA 100LX4 / UM3A																			384
UMA / UMHA 112M	215	180	250	15	4	165	130	200	12	3,5	28 j6	60	8	24	31	M10x22	230	174	390
UMA 112M-2PX / UM3A 112M-4																			400
UMA / UMHA / UM3A 132S-2 / 132S-6	265	230	300	15	4	215	180	250	15	4	38 k6	80	10	33	41	M12x28	265	192	439
UM3A 132SX-2 / 132S-4																			477
UMA / UMHA / UM3A 132M-6	265	230	300	15	4	215	180	250	15	4	38 k6	80	10	33	41	M12x28	265	192	477
UM3A 132M-4 / 132MX-6																			503
UMA 160M/L / UMHA 160M/L / UM3A 160M / 160L-6	300	250	350	4x19	5	-	-	-	-	-	42 k6	110	12	37	45	M16x36	326	230	610
UM3A 160L-2 / 160L-4																			636
UMHA 180M/L	300	250	350	4x19	5	-	-	-	-	-	48 k6	110	14	42,5	52	M16x36	368	280	730
UMHA 200	350	300	400	4x19	5	-	-	-	-	-	55 m6	110	16	49	59	M20x42	368	298	745

IM3601(B14)

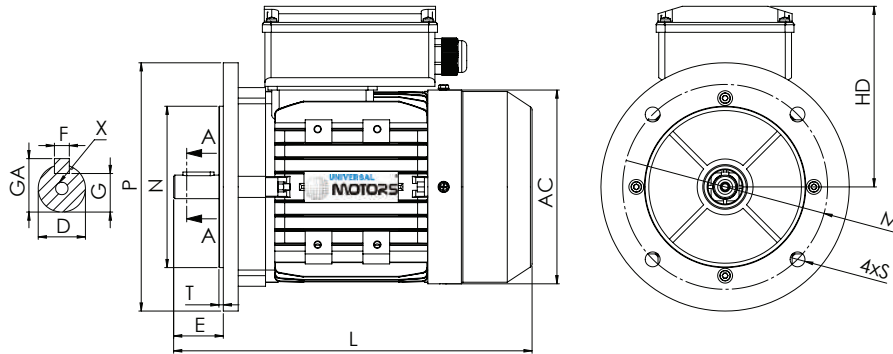


Motor Type	Flange					Flange B14B					Shaft					Frame			
	M	N	P	S	T	M	N	P	S	T	D	E	F	G	GA	X	AC	HD	L
UMA 56	65	50	80	M5	2,5	-	-	-	-	-	9 j6	20	3	7,2	10,2	M3x9	117	102	198
UMA 63	75	60	90	M5	2,5	100	80	120	M6	3	11 j6	23	4	8,5	12,5	M4x10	128	112	218
UMA 71	85	70	105	M6	2,5	115	95	140	M8	3	14 j6	30	5	11	16	M5x12	147	119	250
UMA 80 / UMHA 80	100	80	120	M6	3	130	110	160	M8	3,5	19 j6	40	6	15,5	21,5	M6x16	165	137	278
UM3A 80																			293
UMA / UMHA 90S-2	115	95	140	M8	3	130	110	160	M8	3,5	24 j6	50	8	20	27	M8x19	182	145	296
UMHA 90S-4+ / UM3A																			313
UMHA 90L-2																			322
UMHA 90L-4+ / UM3A																			313
UMA / UMHA 100L	130	110	160	M8	3,5	165	130	200	M10	3,5	28 j6	60	8	24	31	M10x22	205	152	368
UMHA 100LX4 / UM3A																			384
UMA / UMHA 112M	130	110	160	M8	3,5	165	130	200	M10	3,5	28 j6	60	8	24	31	M10x22	230	174	390
UMA 112M-2PX / UM3A 112M-4																			400
UMA / UMHA / UM3A 132S-2 / 132S-6	165	130	200	M10	3,5	215	180	250	M12	4	38 k6	80	10	33	41	M12x28	265	192	439
UM3A 132SX-2 / 132S-4																			477
UMA / UMHA / UM3A 132M-6																	477		
UM3A 132M-4 / 132MX-6																	265	192	503
UMA 160M/L / UMHA 160M/L / UM3A 160M / 160L-6	215	180	250	M12	5	-	-	-	-	-	42 k6	110	12	37	45	M16x36	326	230	610
UM3A 160L-2 / 160L-4																			636

IM1001(B3)


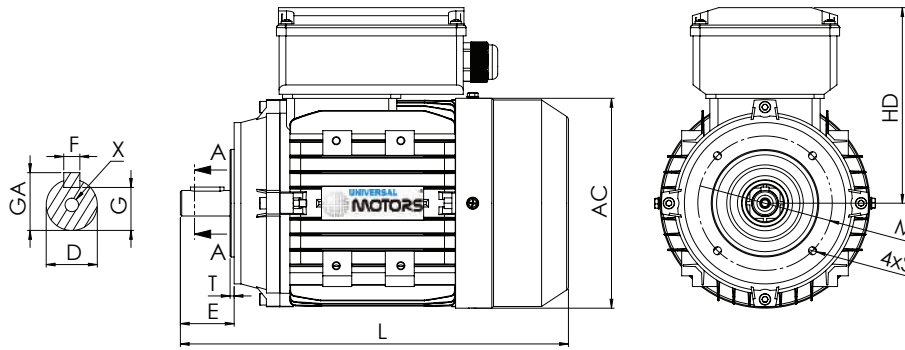
Motor Type	Foot					Shaft						Frame				
	H	A	B	C	K	D	E	F	G	GA	X	AB	BB	AC	HD	L
UPC 56	56	90	71	36	5,8	9 j6	20	3	7,2	10,2	M3x9	110	89	117	144	198
UPC 63	63	100	80	40	7	11 j6	23	4	8,5	12,5	M4x10	120	103	128	182	216
UPC 71	71	112	90	45	7	14 j6	30	5	11	16	M5x12	132	105	147	197	250
UPC 80	80	125	100	50	10	19 j6	40	6	15,5	21,5	M6x16	160	130	165	229	278
UPC 90S	90	140	100	56	10	24 j6	50	8	20	27	M8x19	175	130	182	243	296
UPC 90L	90	140	125	56	10	24j6	50	8	20	27	M8x19	175	155	182	243	352
UPC 100L	100	160	140	63	12	28j6	60	8	24	31	M10x22	198	176	205	265	384
UCC 63	63	100	80	40	7	11 j6	23	4	8,5	12,5	M4x10	120	103	128	181	231
UCC 71	71	112	90	45	7	14 j6	30	5	11	16	M5x12	132	105	147	196	250
UCC 80	80	125	100	50	10	19 j6	40	6	15,5	21,5	M6x16	160	130	165	226	278
UCC 90S	90	140	100	56	10	24 j6	50	8	20	27	M8x19	175	130	182	241	322
UCC 90L	90	140	125	56	10	24j6	50	8	20	27	M8x19	175	155	182	241	352
UCC 100L	100	160	140	63	12	28J6	60	8	24	31	M10x22	198	176	205	262	414
UCC 112M	112	190	140	70	12	28 j6	60	8	24	31	M10x22	220	180	230	298	424

IM3001(B5)



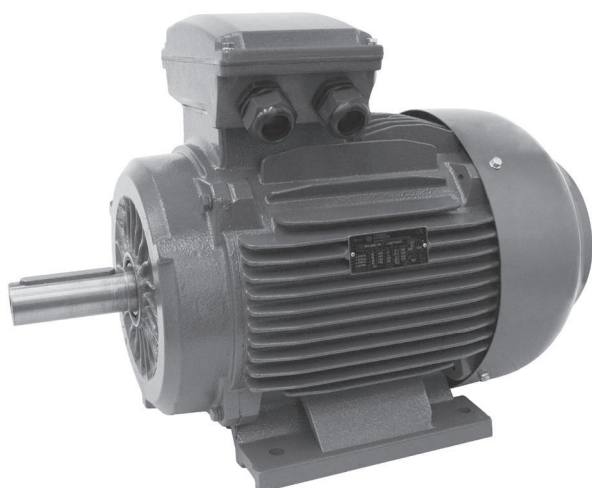
Motor Type	Flange					Flange B5R					Shaft					Frame			
	M	N	P	S	T	M	N	P	S	T	D	E	F	G	GA	X	AC	HD	L
UPC 56	98	80	120	7	3	-	-	-	-	-	9 j6	20	3	7,2	10,2	M3x9	117	88	198
UPC 63	115	95	140	10	3	-	-	-	-	-	11 j6	23	4	8,5	12,5	M4x10	128	119	216
UPC 71	130	110	160	10	3,5	115	95	140	10	3	14 j6	30	5	11	16	M5x12	147	126	250
UPC 80	165	130	200	12	3,5	130	110	160	10	3,5	19 j6	40	6	15,5	21,5	M6x16	165	149	278
UPC 90S	165	130	200	12	3,5	130	110	160	12	3,5	24 j6	50	8	20	27	M8x19	182	153	296
UPC 90L	165	130	200	12	3,5	130	110	160	12	3,5	24j6	50	8	20	27	M8x19	182	153	352
UPC 100L	215	180	250	15	4	165	130	200	12	3,5	28 j6	60	8	24	31	M10x22	205	165	384
UCC 63	115	95	140	10	3	-	-	-	-	-	11 j6	23	4	8,5	12,5	M4x10	128	118	231
UCC 71	130	110	160	10	3,5	115	95	140	10	3	14 j6	30	5	11	16	M5x12	147	125	250
UCC 80	165	130	200	12	3,5	130	110	160	10	3,5	19 j6	40	6	15,5	21,5	M6x16	165	146	278
UCC 90S	165	130	200	12	3,5	130	110	160	12	3,5	24 j6	50	8	20	27	M8x19	182	151	322
UCC 90L	165	130	200	12	3,5	130	110	160	12	3,5	24j6	50	8	20	27	M8x19	182	151	352
UCC 100L	215	180	250	15	4	165	130	200	12	3,5	28 j6	60	8	24	31	M10x22	205	162	414
UCC 112M	215	180	250	15	4	165	130	200	12	3,5	28 j6	60	8	24	31	M10x22	230	186	424

IM3601(B14)



Motor Type	Flange					Flange B14B					Shaft						Frame		
	M	N	P	S	T	M	N	P	S	T	D	E	F	G	GA	X	AC	HD	L
UPC 56	65	50	80	M5	2,5	-	-	-	-	-	9 j6	20	3	7,2	10,2	M3x9	117	88	198
UPC 63	75	60	90	M5	2,5	100	80	120	M6	3	11 j6	23	4	8,5	12,5	M4x10	128	119	216
UPC 71	85	70	105	M6	2,5	115	95	140	M8	3	14 j6	30	5	11	16	M5x12	147	126	250
UPC 80	100	80	120	M6	3	130	110	160	M8	3,5	19 j6	40	6	15,5	21,5	M6x16	165	149	278
UPC 90S	115	95	140	M8	3	130	110	160	M8	3,5	24 j6	50	8	20	27	M8x19	182	153	296
UPC 90L	115	95	140	M8	3	130	110	160	M8	3,5	24j6	50	8	20	27	M8x19	182	153	352
UPC 100L	130	110	160	M8	3,5	165	130	200	M10	3,5	28 j6	60	8	24	31	M10x22	205	165	384
UCC 63	75	60	90	M5	2,5	100	80	120	M6	3	11 j6	23	4	8,5	12,5	M4x10	128	118	231
UCC 71	85	70	105	M6	2,5	115	95	140	M8	3	14 j6	30	5	11	16	M5x12	147	125	250
UCC 80	100	80	120	M6	3	130	110	160	M8	3,5	19 j6	40	6	15,5	21,5	M6x16	165	146	278
UCC 90S	115	95	140	M8	3	130	110	160	M8	3,5	24 j6	50	8	20	27	M8x19	182	151	322
UCC 90L	115	95	140	M8	3	130	110	160	M8	3,5	24j6	50	8	20	27	M8x19	182	151	352
UCC 100L	130	110	160	M8	3,5	165	130	200	M10	3,5	28 j6	60	8	24	31	M10x22	205	162	414
UCC 112M	215	180	250	15	4	165	130	200	12	3,5	28 j6	60	8	24	31	M10x22	230	186	424

CAST IRON FRAME MOTORS



 **Reliable
Robust**

● BEARINGS / DIMENSIONS

H	EM30 / HE30 / PE30 UMC / UMHC / UM3C	
	DE	NDE
80	6204 2Z C3	6204 2Z C3
90	6205 2Z C3	6205 2Z C3
100	6206 2Z C3	6206 2Z C3
112	6306 2Z C3	6306 2Z C3
132	6308 2Z C3	6308 2Z C3
160	6309 C3	6309 C3
180	6311 C3	6311 C3
200	6312 C3	6312 C3
225	6313 C3	6313 C3
250	6314 C3	6314 C3
280 2P	6314 C3	6314 C3
280 4,6, 8P	6317 C3	6317 C3
315 2P	6317 C3	6317 C3
315 4, 6, 8P	NU 319	6319 C3
355 2P	6319 C3	6319 C3
355 4, 6, 8P	NU 322	6322 C3

● SEALS / CABLEGLAND

H	EM30 / HE30 / PE30 UMC / UMHC / UM3C		
	DE	NDE	BUCINS/ PRENSAES- TOPAS
80	20X35X7	20X35X7	M20
90	25X40X7	25X40X7	M25
100	30X47X7	30X47X7	M25
112	30X47X7	30X47X7	M32
132	40X55X8	40X55X8	M32
160	45X62X8	45X62X8	M40
180	55X75X8	55X75X8	M40
200	60X80X8	60X80X8	M50
225	65X80X10	65X80X10	M50
250	70X90X10	70X90X10	M63
280 2P	70X90X10	70X90X10	M63
280 4,6, 8P	85X100X10	85X100X10	M63
315 2P	85X110X12	85X110X12	M63
315 4, 6, 8P	95X120X12	95X120X12	M63
355 2P	95X120X12	95X120X12	M63
355 4, 6, 8P	110X130X12	110X130X12	M63

3~400 V, 50Hz
IE 3

Motor Type	Output		rpm	In	Rendimento			Cos Ø	Starting		Tm/Tn	Tn	Noise	Weight
	kW	Cv	min ⁻¹	A	50%	75%	100%	100%	Ta/Tn	Ia/In		N.m	Db(A)	kg
2 - Poles 3000rpm														
UM3C 80 K-2	0,75	1	2890	1,6	79,6	81,3	81,0	0,82	2,3	7,0	2,3	2,5	62	19
UM3C 80 G-2	1,1	1,5	2890	2,3	82,1	83,5	83,0	0,83	2,2	7,3	2,3	3,6	62	21
UM3C 90 S-2	1,5	2	2890	3,1	83,8	85,5	84,5	0,84	2,2	7,6	2,3	5,0	67	29
UM3C 90 L-2	2,2	3	2890	4,4	85,4	86,7	86,1	0,85	2,2	7,6	2,3	7,3	67	33
UM3C 100 L-2	3	4	2895	5,7	86,6	87,9	87,4	0,87	2,2	7,8	2,3	9,9	74	44
UM3C 112 M-2	4	5,5	2910	7,5	87,4	88,6	88,2	0,88	2,2	8,3	2,3	13	77	50
UM3C 132 S-2	5,5	7,5	2940	10,1	88,6	89,7	89,4	0,88	2,0	8,3	2,3	18	79	60
UM3C 132 SX-2	7,5	10	2940	13,7	89,6	90,9	90,3	0,88	2,0	7,9	2,3	24	79	75
UM3C 160 M-2	11	15	2950	19,6	89,9	91,5	91,3	0,89	2,0	8,1	2,3	36	81	93
UM3C 160 MX-2	15	20	2950	26,5	91,2	92,3	92,0	0,89	2,0	8,1	2,3	49	81	151
UM3C 160 L-2	18,5	25	2950	32,5	91,6	92,8	92,6	0,89	2,0	8,2	2,3	60	81	184
UM3C 180 M-2	22	30	2960	38,5	91,8	92,9	92,7	0,89	2,0	8,2	2,3	71	83	208
UM3C 200 L-2	30	40	2970	52,1	92,2	93,6	93,4	0,89	2,0	7,6	2,3	96	84	256
UM3C 200 LX-2	37	50	2970	64,0	92,6	93,9	93,7	0,89	2,0	7,6	2,3	119	84	256
UM3C 225 M-2	45	60	2970	76,8	92,7	94,0	94,1	0,90	2,0	7,7	2,3	145	86	330
UM3C 250 M-2	55	75	2980	93,5	92,9	94,5	94,3	0,90	2,0	7,7	2,3	176	89	429
UM3C 280 S-2	75	100	2980	127,0	93,6	94,5	94,7	0,90	1,8	7,1	2,3	240	91	616
UM3C 280 M-2	90	125	2980	152,0	94,3	95,2	95,0	0,90	1,8	7,1	2,3	288	91	675
UM3C 315 S-2	110	150	2980	185,0	94,5	95,3	95,2	0,90	1,8	7,1	2,3	352	92	905
UM3C 315 M-2	132	180	2980	224,0	94,6	95,5	95,4	0,90	1,8	7,1	2,3	423	92	950
UM3C 315 L-2	160	220	2980	265,0	94,8	95,6	95,7	0,91	1,8	7,2	2,3	513	92	1050
UM3C 315 LX-2	200	270	2980	331,0	94,9	95,8	95,9	0,91	1,8	7,2	2,2	641	92	1095
UM3C 355 M-2	250	340	2980	414,0	94,9	95,8	95,9	0,91	1,6	7,2	2,2	801	100	2000
UM3C 355 L-2	315	400	2980	522,0	94,9	95,8	95,9	0,91	1,6	7,2	2,2	1009	100	2400

Motor Type Moteur Type	Output Puissance		rpm	In	Rendimento Rendimiento			Cos Ø	Starting Démarrage		Tm/Tn	Tn	Noise Bruit	Weight Masse
	kW	Cv	min ⁻¹	A	50%	75%	100%	100%	Ta/Tn	Ia/In		N.m	Db(A)	kg
4 - Poles 1500rpm														
UM3C 80 G-4	0,75	1	1430	1,8	81,5	82,9	82,7	0,75	2,3	6,6	2,3	5,0	56	17
UM3C 90 S-4	1,1	1,5	1440	2,5	83,0	84,9	84,6	0,76	2,3	6,8	2,3	7,3	59	22
UM3C 90 L-4	1,5	2	1440	3,3	84,8	86,2	85,6	0,77	2,3	7,0	2,3	9,9	59	31
UM3C 100 L-4	2,2	3	1455	4,5	85,9	87,4	86,9	0,81	2,3	7,6	2,3	14	64	37
UM3C 100 LX-4	3	4	1455	6,0	87,1	88,2	87,8	0,82	2,3	7,6	2,3	20	64	46
UM3C 112 M-4	4	5,5	1460	8,0	87,9	89,4	88,7	0,82	2,2	7,8	2,3	26	65	50
UM3C 132 S-4	5,5	7,5	1470	10,7	89,1	90,2	89,8	0,83	2,0	7,9	2,3	36	71	70
UM3C 132 M-4	7,5	10	1470	14,3	90,0	91,0	90,4	0,84	2,0	7,5	2,3	49	71	90
UM3C 160 M-4	11	15	1470	20,4	90,8	91,7	91,4	0,85	2,2	7,7	2,3	71	73	99
UM3C 160 L-4	15	20	1470	27,3	91,5	92,5	92,2	0,86	2,2	7,8	2,3	97	73	125
UM3C 180 M-4	18,5	25	1475	33,5	92,1	93,0	92,7	0,86	2,0	7,8	2,3	120	76	208
UM3C 180 L-4	22	30	1475	39,7	92,4	93,3	93,0	0,86	2,0	7,8	2,3	142	76	227
UM3C 200 L-4	30	40	1480	53,8	92,4	93,4	93,6	0,86	2,0	7,8	2,3	194	76	257
UM3C 225 S-4	37	50	1485	66,1	93,2	94,0	93,9	0,86	2,0	7,4	2,3	238	78	340
UM3C 225 M-4	45	60	1485	80,2	93,4	94,6	94,3	0,86	2,0	7,4	2,3	289	78	362
UM3C 250 M-4	55	75	1485	97,6	93,6	94,8	94,6	0,86	2,0	7,4	2,3	354	79	472
UM3C 280 S-4	75	100	1485	129,0	94,2	95,1	95,0	0,88	2,0	6,9	2,3	482	80	614
UM3C 280 M-4	90	125	1485	155,0	94,5	95,4	95,2	0,88	2,0	6,9	2,3	579	80	707
UM3C 315 S-4	110	150	1485	187,0	94,7	95,4	95,5	0,89	2,0	7,0	2,2	707	88	928
UM3C 315 M-4	132	180	1485	224,0	94,8	95,6	95,7	0,89	2,0	7,0	2,2	849	88	1020
UM3C 315 L-4	160	220	1485	271,0	94,9	95,8	95,9	0,89	2,0	7,1	2,2	1029	88	1180
UM3C 315 LX-4	200	270	1485	334,0	94,9	95,9	96,0	0,90	2,0	7,1	2,2	1286	88	1280
UM3C 355 M-4	250	340	1490	418,0	95,0	95,9	96,0	0,90	2,0	7,1	2,2	1602	95	1800
UM3C 355 L-4	315	400	1490	526,0	95,0	95,9	96,0	0,90	2,0	7,1	2,2	2019	95	2000

Ta/Tn - Starting torque
Ia/In - Starting current
Tm/Tn - Maximum torque

3~400 V, 50Hz
IE 3

Motor Type Moteur Type	Output Puissance		rpm	In	Rendimiento Rendimiento			Cos ϕ	Starting Démarrage		Tm/Tn	Tn	Noise Bruit	Weight Masse
	kW	Cv	min ⁻¹	A	50%	75%	100%	100%	Ta/Tn	Ia/In		N.m	Db(A)	kg
6 - Poles 1000rpm														
UM3C 90 S-6	0,75	1	955	1,9	77,9	79,8	79,4	0,71	2,0	6,0	2,1	7,5	57	17
UM3C 90 L-6	1,1	1,5	955	2,7	79,8	81,8	81,3	0,73	2,0	6,0	2,1	11	57	18
UM3C 100 L-6	1,5	2	955	3,6	81,7	83,4	82,7	0,73	2,0	6,5	2,1	15	61	19
UM3C 112 M-6	2,2	3	970	5,1	83,0	84,7	84,4	0,74	2,0	6,6	2,1	22	65	15
UM3C 132 S-6	3	4	970	6,8	84,9	86,4	86,0	0,74	2,0	6,8	2,1	30	69	45
UM3C 132 M-6	4	5,5	970	9,0	86,2	87,5	86,9	0,74	2,0	6,8	2,1	39	69	53
UM3C 132 MX-6	5,5	7,5	970	12,0	87,5	88,5	88,1	0,75	2,0	7,0	2,1	54	69	68
UM3C 160 M-6	7,5	10	980	15,4	88,4	89,6	89,2	0,79	2,0	7,0	2,1	73	73	90
UM3C 160 L-6	11	15	980	22,0	89,6	90,9	90,4	0,80	2,0	7,2	2,1	107	73	119
UM3C 180 L-6	15	20	980	29,3	90,3	91,5	91,3	0,81	2,0	7,3	2,1	146	73	227
UM3C 200 L-6	18,5	25	985	36,0	90,7	92,0	91,7	0,81	2,0	7,3	2,1	179	73	257
UM3C 200 LX-6	22	30	985	42,5	91,2	92,6	92,3	0,81	2,0	7,4	2,1	213	73	270
UM3C 225 M-6	30	40	985	56,2	92,2	93,2	92,9	0,83	2,0	6,9	2,1	291	74	306
UM3C 250 M-6	37	50	990	68,1	92,7	93,5	93,4	0,84	2,0	7,1	2,1	357	76	427
UM3C 280 S-6	45	60	990	81,6	92,9	93,7	93,8	0,85	2,0	7,3	2,0	434	78	546
UM3C 280 M-6	55	75	990	98,1	93,2	94,2	94,1	0,86	2,0	7,3	2,0	531	78	627
UM3C 315 S-6	75	100	990	136,0	93,4	94,6	94,7	0,84	2,0	6,6	2,0	723	83	915
UM3C 315 M-6	90	125	990	161,0	93,6	94,9	95,0	0,85	2,0	6,7	2,0	868	83	985
UM3C 315 L-6	110	150	990	196,0	93,9	95,0	95,1	0,85	2,0	6,7	2,0	1061	83	1180
UM3C 315 LX-6	132	180	990	232,0	94,1	95,4	95,5	0,86	2,0	6,8	2,0	1273	83	1220
UM3C 355 M-6	160	220	990	281,0	94,2	95,5	95,6	0,86	1,8	6,8	2,0	1543	85	1705
UM3C 355 MX-6	200	270	990	346,0	94,5	95,7	95,8	0,87	1,8	6,8	2,0	1929	85	1760
UM3C 355 L-6	250	340	990	433,0	94,6	95,7	95,8	0,87	1,8	6,8	2,0	2411	85	1870

Motor Type	Output		rpm min ⁻¹	In A	Efficiency			Cos Ø 100%	Starting		Tm/Tn	Tn N.m	Weight Kg
	kW	Cv			50%	75%	100%		Ta/Tn	Ia/In			
2 - Poles 3000rpm													
UMHC 80 K-2	0,75	1	2850	1,7	77,3	78,5	77,4	0,83	2,3	6,8	2,3	2,5	17
UMHC 80 G-2	1,1	1,5	2870	2,4	78,5	80,0	79,6	0,83	2,3	7,3	2,3	3,7	19
UMHC 90 S-2	1,5	2	2880	3,2	80,0	81,8	81,3	0,84	2,3	7,6	2,3	5,0	26
UMHC 90 L-2	2,2	3	2880	4,5	82,5	84,0	83,2	0,85	2,3	7,8	2,3	7,3	30
UMHC 100 L-2	3	4	2880	5,9	84,1	85,8	84,6	0,87	2,3	8,1	2,3	10	40
UMHC 112 M-2	4	5,5	2900	7,6	85,5	87,0	85,8	0,88	2,3	8,3	2,3	13	46
UMHC 132 S-2	5,5	7,5	2910	10,4	86,0	88,0	87,0	0,88	2,2	8,0	2,3	18	64
UMHC 132 SX-2	7,5	10	2910	13,8	86,3	88,6	88,1	0,89	2,2	7,8	2,3	25	70
UMHC 160 M-2	11	15	2940	20,0	88,9	90,2	89,4	0,89	2,2	7,9	2,3	36	120
UMHC 160 MX-2	15	20	2940	26,9	90,0	91,0	90,3	0,89	2,2	8,0	2,3	49	132
UMHC 160 L-2	18,5	25	2940	33,0	90,3	91,6	90,9	0,89	2,2	8,1	2,3	60	150
UMHC 180 M-2	22	30	2950	39,1	91,1	91,8	91,3	0,89	2,2	8,2	2,3	71	199
UMHC 200 L-2	30	40	2960	52,9	91,1	92,4	92,0	0,89	2,2	7,5	2,3	97	243
UMHC 200 LX-2	37	50	2960	64,9	91,5	92,9	92,5	0,89	2,2	7,5	2,3	119	263
UMHC 225 M-2	45	60	2960	78,6	92,6	93,3	92,9	0,89	2,2	7,6	2,3	145	312
UMHC 250 M-2	55	75	2970	96,0	92,8	93,9	93,2	0,89	2,2	7,6	2,3	177	407
UMHC 280 S-2	75	100	2975	130,0	93,1	94,3	93,8	0,89	2,0	6,9	2,3	241	636
UMHC 280 M-2	90	125	2975	155,0	93,4	94,3	94,1	0,89	2,0	7,0	2,3	289	609
UMHC 315 S-2	110	150	2975	187,0	93,4	94,5	94,3	0,90	2,0	7,1	2,2	353	875
UMHC 315 M-2	132	180	2975	224,0	93,2	94,8	94,6	0,90	2,0	7,1	2,2	424	940
UMHC 315 L-2	160	220	2975	268,0	94,0	95,1	94,8	0,91	2,0	7,1	2,2	514	1040
UMHC 315 LX-2	200	270	2975	334,0	94,2	95,4	95,0	0,91	2,0	7,1	2,2	642	1080
UMHC 355 M-2	250	340	2980	418,0	94,2	95,4	95,0	0,91	2,0	7,1	2,2	801	1900
UMHC 355 L-2	315	400	2980	526,0	94,2	95,4	95,0	0,91	2,0	7,1	2,2	1009	2300

According to the European Regulation No 640/2009, all electric motors with rated power between 7.5kW and 375kW installed from 01/01/2015 must have an energy efficiency level of IE3 or IE2 if installed with a variable speed drive.

Ta/Tn - Starting torque
Ia/In - Starting current
Tm/Tn - Maximum torque

3~400 V, 50HZ
IE 2

Motor Type	Output		rpm	In	Efficiency			Cos Ø	Starting		Tm/Tn	Tn	Weight
	kW	Cv	min ⁻¹	A	50%	75%	100%	100%	Ta/Tn	Ia/In		N.m	Kg
4 - Poles 1500rpm													
EM30 80 K-4*	0,55	0,75	1390	1,5	-	-	71,0	0,75	2,4	5,2	2,3	3,8	15
UMHC 80 G-4	0,75	1	1420	1,8	79,2	80,3	79,6	0,75	2,3	6,8	2,3	5,0	20
UMHC 90 S-4	1,1	1,5	1420	2,6	81,4	82,7	81,4	0,75	2,3	7,3	2,3	7,4	28
UMHC 90 L-4	1,5	2	1420	3,5	82,0	83,5	82,8	0,75	2,3	7,6	2,3	10,1	33
UMHC 100 L-4	2,2	3	1440	4,7	84,0	85,3	84,3	0,81	2,3	7,8	2,3	15	42
UMHC 100 LX-4	3	4	1440	6,2	85,3	86,6	85,5	0,82	2,3	8,1	2,3	20	46
UMHC 112 M-4	4	5,5	1445	8,1	86,0	87,3	86,6	0,82	2,3	8,3	2,3	26	56
UMHC 132 S-4	5,5	7,5	1450	11,1	87,5	88,3	87,7	0,82	2,2	8,0	2,3	36	73
UMHC 132 M-4	7,5	10	1450	14,7	88,5	89,4	88,7	0,83	2,2	7,8	2,3	49	87
UMHC 160 M-4	11	15	1470	20,8	89,4	90,3	89,8	0,85	2,2	7,9	2,3	71	122
UMHC 160 L-4	15	20	1470	27,8	90,6	91,2	90,6	0,86	2,2	8,0	2,3	97	146
UMHC 180 M-4	18,5	25	1470	34,1	90,8	91,7	91,2	0,86	2,2	8,1	2,3	120	191
UMHC 180 L-4	22	30	1470	40,3	91,5	92,1	91,6	0,86	2,2	8,2	2,3	143	214
UMHC 200 L-4	30	40	1470	54,6	90,0	92,7	92,3	0,86	2,2	7,5	2,3	195	265
UMHC 225 S-4	37	50	1480	67,0	92,5	93,0	92,7	0,86	2,2	7,5	2,3	239	322
UMHC 225 M-4	45	60	1480	81,1	92,7	93,3	93,1	0,86	2,2	7,6	2,3	290	344
UMHC 250 M-4	55	75	1480	99,0	93,4	94,0	93,5	0,86	2,2	7,6	2,3	355	450
UMHC 280 S-4	75	100	1480	131,0	93,5	94,5	94,0	0,88	2,0	6,9	2,3	484	589
UMHC 280 M-4	90	125	1480	157,0	93,6	94,7	94,2	0,88	2,0	7,0	2,3	581	682
UMHC 315 S-4	110	150	1480	191,0	93,8	95,0	94,5	0,88	2,0	7,1	2,2	710	898
UMHC 315 M-4	132	180	1480	229,0	93,8	95,2	94,7	0,88	2,0	7,1	2,2	852	984
UMHC 315 L-4	160	220	1480	273,0	94,0	95,4	94,9	0,89	2,0	7,1	2,2	1032	1053
UMHC 315 LX-4	200	270	1480	341,0	94,0	95,4	95,1	0,89	2,0	7,1	2,2	1291	1150
UMHC 355 M-4	250	340	1490	422,0	94,0	95,4	95,1	0,90	2,0	7,1	2,2	1602	1700

According to the European Regulation No 640/2009, all electric motors with rated power between 7.5kW and 375kW installed from 01/01/2015 must have an energy efficiency level of IE3 or IE2 if installed with a variable speed drive.

*IE1

Ta/Tn - Starting torque
Ia/In - Starting current
Tm/Tn - Maximum torque

Motor Type Moteur Type	Output Puissance		rpm	In	Efficiency Rendement			Cos Ø	Starting Démarrage		Tm/Tn	Tn	Weight Masse
	kW	Cv	min ⁻¹	A	50%	75%	100%	100%	Ta/Tn	Ia/In		N.m	Kg
6 - Poles 1000rpm													
UMC 80 K-6*	0,37	0,5	900	1,2	62,0	0,70	1,9	4,7	2	4	15	4	15
UMC 80 G-6*	0,55	0,75	900	1,7	65,0	0,72	1,9	4,7	2,1	6	16	6	16
UMHC 90 S-6	0,75	1	910	2,2	69,0	0,72	2,0	5,5	2,1	8	19	7,7	26
UMHC 90 L-6	1,1	1,5	910	3,0	72,0	0,73	2,0	5,5	2,1	12	22	11,3	32
UMHC 100 L-6	1,5	2	940	3,7	76,0	0,76	2,0	5,5	2,1	15	32	15,4	41
UMHC 112 M-6	2,2	3	940	5,3	79,0	0,76	2,1	6,5	2,1	22	41	22,2	48
UMHC 132 S-6	3	4	960	7,0	81,0	0,76	2,1	6,5	2,1	30	63	30	61
UMHC 132 M-6	4	5,5	960	9,4	82,0	0,76	2,1	6,5	2,1	40	72	40	74
UMHC 132 MX-6	5,5	7,5	960	12,3	84,0	0,76	2,1	6,5	2,1	55	81	54	87
UMHC 160 M-6	7,5	10	970	16,1	86,0	0,78	2,0	6,5	2,1	74	118	74	118
UMHC 160 L-6	11	15	970	23,0	87,5	0,79	2,0	6,5	2,1	108	145	108	148
UMHC 180 L-6	15	20	970	30,0	89,0	0,81	2,1	7,0	2,1	148	178	146	195
UMHC 200 L-6	18,5	25	970	36,7	90,0	0,81	2,1	7,0	2,1	182	200	180	234
UMHC 200 LX-6	22	30	970	42,5	90,0	0,83	2,1	7,0	2,1	217	228	214	253
UMHC 225 M-6	30	40	980	56,3	91,5	0,84	2,0	7,0	2,1	292	265	292	288
UMHC 250 M-6	37	50	980	67,5	92,0	0,86	2,1	7,0	2,1	361	370	361	405
UMHC 280 S-6	45	60	980	90,5	92,5	0,86	2,1	6,7	2	438	490	439	521
UMHC 280 M-6	55	75	980	108,4	92,8	0,86	2,1	6,7	2	535	540	536	602
UMHC 315 S-6	75	100	935	148,4	93,5	0,86	2,0	6,7	2	764	900	723	833
UMHC 315 M-6	90	125	935	177,9	93,8	0,86	2,0	6,7	2	917	980	868	897
UMHC 315 L-6	110	150	935	216,8	94,0	0,86	2,0	6,7	2	1121	1045	1061	1004
UMHC 315 LX-6	132	180	935	256,8	94,2	0,87	2,0	6,7	2	1345	1100	1273	1111
UMHC 355 M-6	160	220	990	307,4	94,5	0,88	1,9	6,7	2	1540	1550	1543	1550
UMHC 355 MX-6	200	270	990	384,2	94,5	0,88	1,9	6,7	2	1925	1600	1929	1600
UMHC 355 L-6	250	340	990	481,1	94,5	0,88	1,9	6,7	2	2407	1700	2412	1700

According to the European Regulation No 640/2009, all electric motors with rated power between 7.5kW and 375kW installed from 01/01/2015 must have an energy efficiency level of IE3 or IE2 if installed with a variable speed drive.

*IE1

Ta/Tn - Starting torque
Ia/In - Starting current
Tm/Tn - Maximum torque

3~400 V, 50HZ
IE1

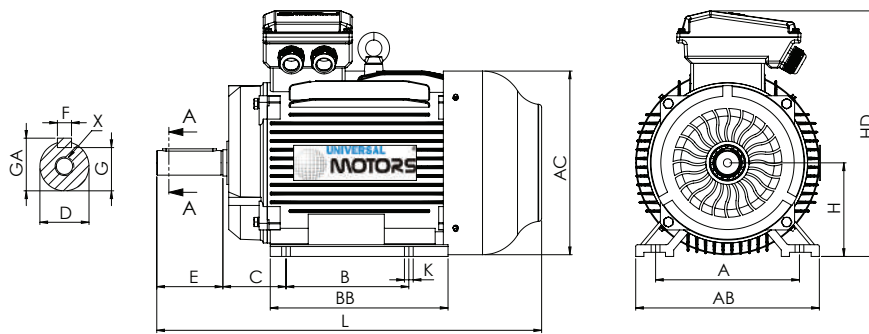
Motor Type Moteur Type	Output Puissance		rpm	In	Efficiency 4/4 Rendement 4/4	Cos Ø	Starting Démarrage		Tm/Tn	Tn	Weight Masse
	kW	Cv	min ⁻¹	A	%	4/4	Ta/Tn	Ia/In		N.m	kg
8 - Poles 750rpm											
UMC 80 K-8	0,18	0,25	690	0,9	51,0	0,61	1,8	3,3	1,9	3	22
UMC 80 G-8	0,25	0,33	690	1,1	54,0	0,61	1,8	3,3	1,9	4	24
UMC 90 S-8	0,37	0,5	690	1,4	62,0	0,61	1,8	4,0	1,9	5	26
UMC 90 L-8	0,55	0,75	690	2,1	63,0	0,61	1,8	4,0	2	8	28
UMC 100 L-8	0,75	1	700	2,3	70,0	0,67	1,8	4,0	2	10	30
UMC 100 LX-8	1,1	1,5	700	3,1	72,0	0,69	1,8	5,0	2	15	32
UMC 112 M-8	1,5	2	700	4,2	74,0	0,68	1,8	5,0	2	21	40
UMC 132 S-8	2,2	3	710	5,7	79,0	0,71	1,8	6,0	2	30	64
UMC 132 M-8	3	4	710	7,5	80,0	0,73	1,8	6,0	2	40	78
UMC 160 M-8	4	5,5	720	9,8	81,0	0,73	2,0	6,0	2	53	105
UMC 160 L-8	5,5	7,5	720	12,9	83,0	0,74	1,9	6,0	2	73	115
UMC 160 LX-8	7,5	10	720	16,9	85,5	0,75	1,9	6,0	2	100	145
UMC 180 L-8	11	15	730	24,0	87,5	0,76	2,0	6,6	2	144	160
UMC 200 L-8	15	20	725	32,4	88,0	0,76	2,0	6,6	2	196	228
UMC 225 S-8	18,5	25	730	43,3	90,0	0,76	1,9	6,6	2	242	242
UMC 225 M-8	22	30	730	51,5	90,5	0,78	1,9	6,6	2	287	265
UMC 250 M-8	30	40	735	66,3	91,0	0,79	1,9	6,5	2	389	368
UMC 280 S-8	37	50	740	82,1	91,5	0,79	1,9	6,6	2	477	472
UMC 280 M-8	45	60	740	98,9	92,0	0,79	1,9	6,6	2	580	538
UMC 315 S-8	55	75	735	116,8	92,8	0,81	1,8	6,6	2	713	900
UMC 315 M-8	75	100	735	157,9	93,5	0,81	1,8	6,2	2	972	1000
UMC 315 L-8	90	125	735	187,4	93,8	0,82	1,8	6,4	2	1167	1055
UMC 315 LX-8	110	150	735	228,4	94,0	0,82	1,8	6,4	2	1426	1118
UMC 355 M-8	132	180	740	274,7	93,7	0,82	1,8	6,4	2	1700	2000
UMC 355 MX-8	160	220	740	331,6	94,2	0,82	1,8	6,4	2	2061	2150
UMC 355 L-8	200	270	740	407,4	94,5	0,83	1,8	6,4	2	2576	2250

* Complies with the energy efficiency level IE2 according to the standard IEC / EN 60034-30-1: 2014

** Complies with the energy efficiency level IE3 according to the standard IEC / EN 60034-30-1: 2014

Ta/Tn - Starting torque
Ia/In - Starting current
Tm/Tn - Maximum torque

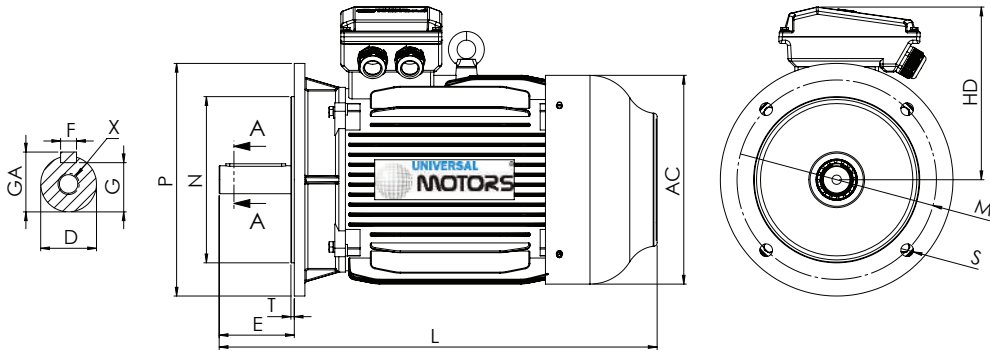
IM1001(B3)



Motor Type	Foot					Shaft						Frame					
	H	A	B	C	K	D	E	F	G	GA	X	AB	BB	AC	HD	L	
80	80	125	100	50	10	19 j6	40	6	15,5	22	M6x16	165	130	175	220	300	
90S	90	140	100	56	10	24 j6	50	8	20	27	M8x19	180	140	195	255	330	
90L	90	140	125	56	10	24 j6	50	8	20	27		180	165	195	255	360	
100L	100	160	140	63	12	28 j6	60	8	24	31	M10x22	205	175	215	270	400	
112M	112	190	140	70	12	28 j6	60	8	24	31		230	180	235	300	435/425*	
132S	132	216	140	89	12	38 k6	80	10	33	41	M12x28	270	185	293	349	470/502*	
132M	132	216	178	89	12	38 k6	80	10	33	41		270	225	293	349	510/533*	
160M	160	254	210	108	15	42 k6	110	12	37	45	M16x36	320	258	315	420	615/660*	
160L	160	254	254	108	15	42 k6	110	12	37	45		320	305	315	420	660/730*	
180M	180	279	241	121	15	48 k6	110	14	42,5	52		355	298	355	455	700/740*	
180L	180	279	279	121	15	48 k6	110	14	42,5	52		355	350	355	455	740/810*	
200L	200	318	305	133	18,5	55 m6	110	16	49	59	M20x42	385	370	397	505	770/852*	
225S	225	356	286	149	18,5	60 m6	140	18	53	64		436	370	445	560	815/874*	
225M-2	225	356	311	149	18,5	55 m6	110	16	49	59		436	395	445	445	560	820/890*
225M-4/6/8						60 m6	140	18	53	64							845/915*
250M-2	250	406	349	168	24	60 m6	140	18	53	64		506	485	485	615	920/985*	
250M-4/6/8						65 m6			58	69							
280S-2	280	457	368	190	24	65m6	140	18	58	69		557	485	547	680	995/1045*	
280S-4/6/8						75m6	140	20	67,5	80							
280M-2	280	457	419	190	24	65m6	140	18	58	69		557	535	547	680	1045/1095*	
280M-4/6/8						75m6	140	20	67,5	80							
315S-2	315	508	406	216	28	65m6	140	18	58	69		635	565	620	845	1185	
315S-4/6/8						80m6	170	22	71	85						1220	
315M-2	315	508	457	216	28	65m6	140	18	58	69	635	680	620	845	1290		
315M-4/6/8						80m6	170	22	71	85					1325		
315L-2	315	508	508	216	28	65m6	140	18	58	69	635		620	845	1290		
315L-4/6/8						80m6	170	22	71	85					1325		
355M-2	355	610	560	254	28	75m6	140	20	67,5	80	730	755	698	1010	1500		
355M-4/6/8						95m6	170	25	86	101					1530		
355L-2	355	610	630	254	28	75m6	140	20	67,5	80	730		698	1010	1500		
355L-4/6/8						95m6	170	25	86	101					1530		

* UM2C/UM3C

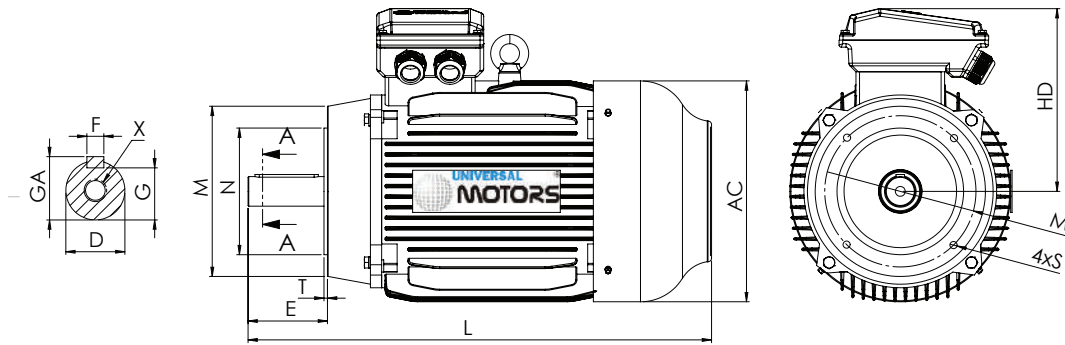
IM3001(B5)



Motor Type	Flange					Shaft						Frame		
	M	N	P	S	T	D	E	F	G	GA	X	AC	HD	L
80	165	130	200	4x12	3,5	19 j6	40	6	15,5	21,5	M6x16	175	140	300
90S	165	130	200	4x12	3,5	24 j6	50	8	20	27	M8x19	195	160	330
90L	165	130	200	4x12	3,5	24j6	50	8	20	27		195	160	360
100L	215	180	250	4x15	4	28 j6	60	8	24	31	M10x22	215	172	400
112M	215	180	250	4x15	4	28 j6	60	8	24	31	M12x28	240	193	435/425*
132S	265	230	300	4x15	4	38 k6	80	10	33	41		275	225	470/502*
132M	265	230	300	4x15	4	38 k6	80	10	33	41	M16x36	275	225	510/533*
160M	300	250	350	4x19	5	42 k6	110	12	37	45		330	255	615/660*
160L	300	250	350	4x19	5	42 k6	110	12	37	45	M20x42	330	255	660/730*
180M	300	250	350	4x19	5	48 k6	110	14	42,5	51,5		380	280	700/740*
180L	300	250	350	4x19	5	48 k6	110	14	42,5	51,5	M20x42	380	280	740/810*
200L	350	300	400	8x19	5	55 m6	110	16	49	59		420	305	770/852*
225S	400	350	450	8x19	5	60 m6	140	18	53	64	M20x42	470	335	815/874*
225M-2	400	350	450	8x19	5	55 m6	110	16	49	59		470	335	820/890*
225M-4/6/8						60 m6	140	18	53	64	845/915*			
250M-2	500	450	550	8x19	5	60 m6	140	18	53	64	510	370	920/985*	
250M-4/6/8						65 m6			58	69				
280S-2	500	450	550	8x19	5	65m6	140	18	58	69	580	410	995/1045*	
280S-4/6/8						75m6	140	20	67,5	80				
280M-2	500	450	550	8x19	5	65m6	140	18	58	69	580	410	1045/1095*	
280M-4/6/8						75m6	140	20	67,5	79,5				
315S-2	600	550	660	8x24	6	65m6	140	18	58	69	645	530	1185	
315S-4/6/8						80m6	170	22	71	85			1220	
315M-2	600	550	660	8x24	6	65m6	140	18	58	69	645	530	1290	
315M-4/6/8						80m6	170	22	71	85			1325	
315L-2	600	550	660	8x24	6	65m6	140	18	58	69	645	530	1290	
315L-4/6/8						80m6	170	22	71	85			1325	
355M-2	740	680	800	8x24	6	75m6	140	20	67,5	80	730	655	1500	
355M-4/6/8						95m6	170	25	86	101			1530	
355L-2	740	680	800	8x24	6	75m6	140	20	67,5	80	730	655	1500	
355L-4/6/8						95m6	170	25	86	101			1530	

* UM2C/UM3C

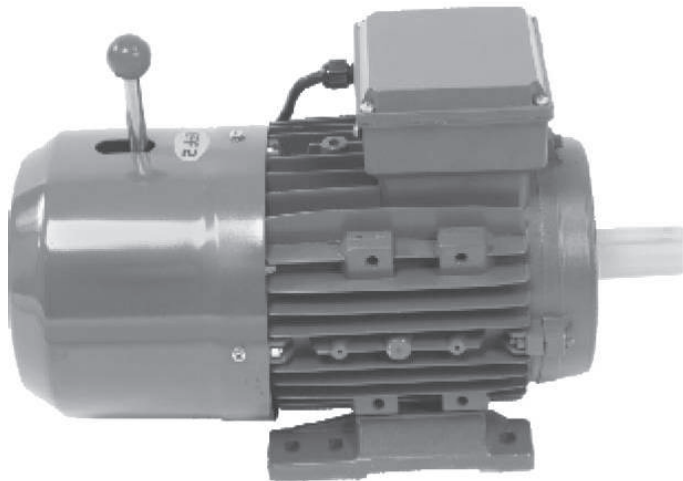
IM3601(B14)



Motor Type	Flange					Shaft						Frame		
	M	N	P	S	T	D	E	F	G	GA	X	AC	HD	L
80M	100	80	120	M6	3	19 j6	40	6	15,5	21,5	M6x16	165	140	300
90S	115	95	140	M8	3	24 j6	50	8	20	27	M8x19	185	160	330
90L	115	95	140	M8	3	24j6	50	8	20	27		185	160	360
100L	130	110	160	M8	3,5	28 j6	60	8	24	31	M10x22	215	172	400
112M	130	110	160	M8	3,5	28 j6	60	8	24	31		240	193	435/425*
132S	165	130	200	M10	5	38 k6	80	10	33	41	M12x28	275	225	470/502*
132M	165	130	200	M10	4	38 k6	80	10	33	41		275	225	510/533*
160M	215	180	242	M12	4	42 k6	110	12	37	45	M16x36	330	255	615/660*
160L	215	180	242	M12	4	42 k6	110	12	37	45		330	255	660/730*

* UM2C/UM3C

BRAKE MOTORS



- BEARINGS / DIMENSIONS
ROULEMENTS / DIMENSIONS

H	BFF31 / HEF31	
	DE	NDE
56	6201 2Z C3	6201 2Z C3
63	6201 2Z C3	6201 2Z C3
71	6202 2Z C3	6202 2Z C3
80	6204 2Z C3	6204 2Z C3
90	6205 2Z C3	6204 2Z C3
100	6206 2Z C3	6206 2Z C3
112	6306 2Z C3	6206 2Z C3
132	6308 2Z C3	6208 2Z C3
160	6309 2Z C3	6309 2Z C3
180	6311 C3	6311 C3



DC BRAKE

Simple construction
Little maintenance
High torque



AC BRAKE

Strong Construction
Fast acting
Quiet
Safe

3~400 V, 50Hz DC BRAKE

Motor Type	Output		Brake DC		Air Gap		Tf Brake	Tn	Tf/Tn	Pf	Weight
	kW	Cv			min.	max.	Nm	Nm		W	Kg
2 - Poles 3000rpm											
BFF31 71M1-2	0,37	0,5	REB-05	-06	0,2	0,6	4	1,3	3,1	20	7
BFF31 71M2-2	0,55	0,75	REB-05	-06	0,2	0,6	4	1,9	2,1	20	7
HEF31 80M1-2	0,75	1	REB-05	-08	0,2	0,6	8	2,6	3,1	25	11
HEF31 80M2-2	1,1	1,5	REB-05	-08	0,2	0,6	8	3,8	2,1	25	12
HEF31 90S-2	1,5	2	REB-05	-10	0,2	0,7	16	5,1	3,1	33	15
HEF31 90L-2	2,2	3	REB-05	-10	0,2	0,7	16	7,5	2,1	33	17
HEF31 100L-2	3	4	REB-05	-12	0,3	0,8	32	10	3,2	40	27
HEF31 112M-2	4	5,5	REB-05	-14	0,3	0,8	60	13	4,6	55	35
HEF31 132S1-2	5,5	7,5	REB-05	-16	0,3	0,9	80	18	4,4	55	51
HEF31 132S2-2	7,5	10	REB-05	-16	0,3	0,9	80	25	3,2	55	56
4 - Poles 1500rpm											
BFF31 71M1-4	0,25	0,33	REB-05	-06	0,2	0,6	4	1,7	2,4	20	7
BFF31 71M2-4	0,37	0,5	REB-05	-06	0,2	0,6	4	2,5	1,6	20	7
BFF31 80M1-4	0,55	0,75	REB-05	-08	0,2	0,6	8	3,8	2,1	25	11
HEF31 80M2-4	0,75	1	REB-05	-08	0,2	0,6	8	5,1	1,6	25	12
HEF31 90S-4	1,1	1,5	REB-05	-10	0,2	0,7	16	7,5	2,1	33	15
HEF31 90L-4	1,5	2	REB-05	-10	0,2	0,7	16	10,2	1,6	33	17
HEF31 100L1-4	2,2	3	REB-05	-12	0,3	0,8	32	15	2,1	40	26
HEF31 100L2-4	3	4	REB-05	-12	0,3	0,8	32	20	1,6	40	30
HEF31 112M-4	4	5,5	REB-05	-14	0,3	0,8	60	27	2,2	55	36
HEF31 132S-4	5,5	7,5	REB-05	-16	0,3	0,9	80	37	2,2	55	54
HEF31 132M-4	7,5	10	REB-05	-16	0,3	0,9	80	50	1,6	55	64
HEF31 160M-4	11	15	REB-05	-18	0,4	1,2	150	71	2,1	85	95
HEF31 160L-4	15	20	REB-05	-18	0,4	1,2	150	71	1,6	85	115

3~400 V, 50Hz DC BRAKE

Motor Type	Output		Brake DC		Air Gap		Tf Brake	Tn	Tf/Tn	Pf	Weight
	kW	Cv			min.	max.	Nm	Nm		W	Kg
6 - Poles 1000rpm											
BFF31 71M1-6	0,18	0,25	REB-05	-06	0,2	0,6	4	1,9	2,1	20	7
BFF31 71M2-6	0,25	0,33	REB-05	-06	0,2	0,6	4	2,6	1,5	20	7
BFF31 80M1-6	0,37	0,5	REB-05	-08	0,2	0,6	8	3,8	2,1	25	12
BFF31 80M2-6	0,55	0,75	REB-05	-08	0,2	0,6	8	5,8	1,4	25	13
HEF31 90S-6	0,75	1	REB-05	-10	0,2	0,7	16	7,9	2,0	33	16
HEF31 90L-6	1,1	1,5	REB-05	-10	0,2	0,7	16	11,6	1,4	33	17
HEF31 100L-6	1,5	2	REB-05	-12	0,3	0,8	32	15,2	2,1	40	26
HEF31 112M-6	2,2	3	REB-05	-14	0,3	0,8	60	22,4	2,7	55	34
HEF31 132S-6	3	4	REB-05	-16	0,3	0,9	80	30	2,7	55	54
HEF31 132M1-6	4	5,5	REB-05	-16	0,3	0,9	80	39,8	2,0	55	62
HEF31 132M2-6	5,5	7,5	REB-05	-16	0,3	0,9	80	54,7	1,5	55	68
8 - Poles 750rpm											
BFF31 80M1-8	0,18	0,25	REB-05	-08	0,2	0,6	8	2,6	3,1	25	12
BFF31 80M2-8	0,25	0,33	REB-05	-08	0,2	0,6	8	3,5	2,3	25	13
BFF31 90S-8	0,37	0,5	REB-05	-10	0,2	0,7	16	5,4	3,0	33	16
BFF31 90L-8	0,55	0,75	REB-05	-10	0,2	0,7	16	7,8	2,1	33	18
BFF31 100L1-8	0,75	1	REB-05	-12	0,3	0,8	32	10,3	3,1	40	26
BFF31 100L2-8	1,1	1,5	REB-05	-12	0,3	0,8	32	15,2	2,1	40	28
BFF31 112M-8	1,5	2	REB-05	-14	0,3	0,8	60	20,5	2,9	55	35
BFF31 132S-8	2,2	3	REB-05	-16	0,3	0,9	80	29,6	2,7	55	55
BFF31 132M-8	3	4	REB-05	-16	0,3	0,9	80	40,4	2,0	55	62

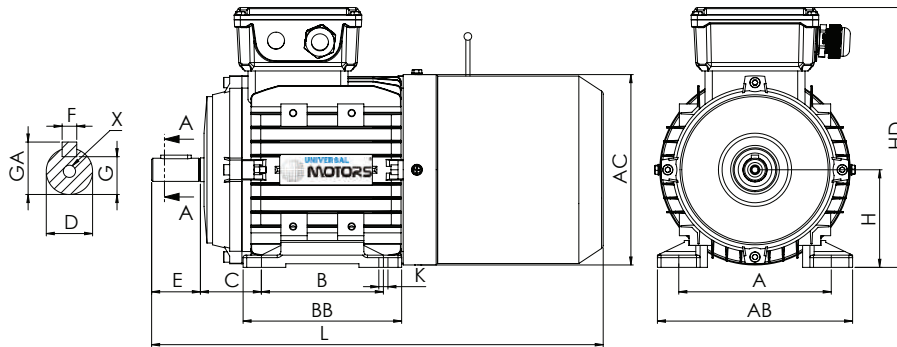
3~400 V, 50Hz AC BRAKE

Motor Type	Output		Brake AC	Air Gap		Tf Brake	Tn	Tf/Tn	Pf	Weight
	kW	Cv		min.	max.	Nm	Nm		W	Kg
2 - Poles 3000rpm										
BFF31 71M1-2	0,37	0,5	AC2	0,2	0,6	10	1,3	7,7	22	7
BFF31 71M2-2	0,55	0,75	AC2	0,2	0,6	10	1,9	5,3	22	7
HEF31 80M1-2	0,75	1	AC3	0,2	0,6	15	2,6	5,8	27	11
HEF31 80M2-2	1,1	1,5	AC3	0,2	0,6	15	3,8	3,9	27	12
HEF31 90S-2	1,5	2	AC4	0,2	0,7	20	5,1	3,9	27	15
HEF31 90L-2	2,2	3	AC4	0,2	0,7	20	7,5	2,7	27	17
HEF31 100L-2	3	4	AC5	0,2	0,7	40	10	4,0	39	27
HEF31 112M-2	4	5,5	AC6	0,2	0,7	60	13	4,6	61	35
HEF31 132S1-2	5,5	7,5	AC7	0,2	0,7	90	18	5,0	69	51
HEF31 132S2-2	7,5	10	AC7	0,2	0,7	90	25	3,6	69	56
HEF30 160M1-2	11	15	AC8	0,2	0,7	200	36	5,6	134	125
HEF30 160M2-2	15	20	AC8	0,2	0,7	200	49	4,1	134	135
HEF30 160L-2	18,5	25	AC8	0,2	0,7	200	60	3,3	134	154
HEF30 180M-2	22	30	AC8	0,2	0,7	200	71	2,8	134	184
4 - Poles 1500rpm										
BFF31 71M1-4	0,25	0,33	AC2	0,2	0,6	10	1,7	5,9	22	7
BFF31 71M2-4	0,37	0,5	AC2	0,2	0,6	10	2,5	4,0	22	7
BFF31 80M1-4	0,55	0,75	AC3	0,2	0,6	15	3,8	3,9	27	11
HEF31 80M2-4	0,75	1	AC3	0,2	0,6	15	5,1	2,9	27	12
HEF31 90S-4	1,1	1,5	AC4	0,2	0,7	20	7,5	2,7	27	15
HEF31 90L-4	1,5	2	AC4	0,2	0,7	20	10,2	2,0	27	17
HEF31 100L1-4	2,2	3	AC5	0,2	0,7	40	15	2,7	39	26
HEF31 100L2-4	3	4	AC5	0,2	0,7	40	20	2,0	39	30
HEF31 112M-4	4	5,5	AC6	0,2	0,7	60	27	2,2	61	36
HEF31 132S-4	5,5	7,5	AC7	0,2	0,7	90	37	2,4	69	54
HEF31 132M-4	7,5	10	AC7	0,2	0,7	90	50	1,8	69	64
HEF31 160M-4	11	15	AC8	0,2	0,7	200	72	2,8	134	133
HEF31 160L-4	15	20	AC8/D	0,2	0,7	400	98	4,1	134	151
HEF30 180M-4	18,5	25	AC8/D	0,2	0,7	400	120	3,3	134	183
HEF30 180L-4	22	30	AC8/D	0,2	0,7	400	143	2,8	134	201

3~400 V, 50Hz AC BRAKE

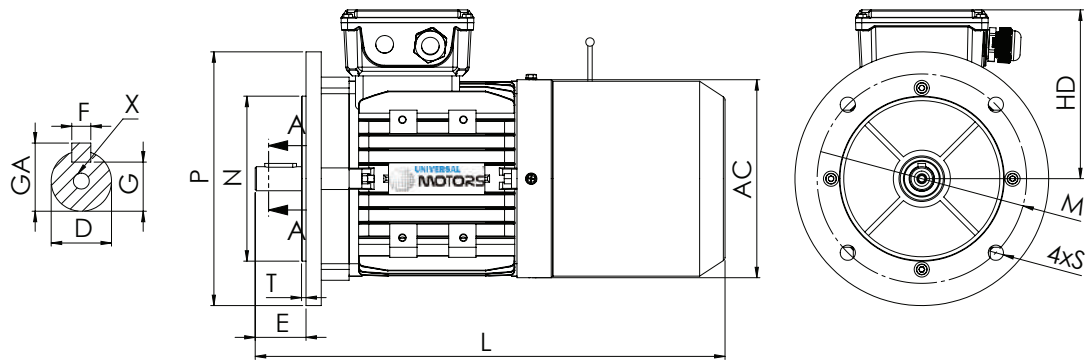
Motor Type	Output		Brake AC	Air Gap		Tf Brake	Tn	Tf/Tn	Pf	Weight
	kW	Cv		min.	max.	Nm	Nm		W	Kg
6 - Poles 1000rpm										
BFF31 71M1-6	0,18	0,25	AC2	0,2	0,6	10	1,9	5,3	22	7
BFF31 71M2-6	0,25	0,33	AC2	0,2	0,6	10	2,6	3,8	22	7
BFF31 80M1-6	0,37	0,5	AC3	0,2	0,6	15	3,8	3,9	27	12
BFF31 80M2-6	0,55	0,75	AC3	0,2	0,6	15	5,8	2,6	27	13
HEF31 90S-6	0,75	1	AC4	0,2	0,7	20	7,9	2,5	27	16
HEF31 90L-6	1,1	1,5	AC4	0,2	0,7	20	11,6	1,7	27	17
HEF31 100L-6	1,5	2	AC5	0,2	0,7	40	15,2	2,6	39	26
HEF31 112M-6	2,2	3	AC6	0,2	0,7	60	22,4	2,7	61	34
HEF31 132S-6	3	4	AC7	0,2	0,7	90	30	3,0	69	54
HEF31 132M1-6	4	5,5	AC7	0,2	0,7	90	39,8	2,3	69	62
HEF31 132M2-6	5,5	7,5	AC7	0,2	0,7	90	54,7	1,6	69	68
HEF30 160M-6	7,5	10	AC8	0,2	0,7	200	74	2,7	134	133
HEF30 160L-6	11	15	AC8/D	0,2	0,7	400	108	3,7	134	160
HEF30 180L-6	15	20	AC8/D	0,2	0,7	400	148	2,7	134	197
8 - Poles 750rpm										
BFF31 80M1-8	0,18	0,25	AC3	0,2	0,6	15	2,6	5,8	27	12
BFF31 80M2-8	0,25	0,33	AC3	0,2	0,6	15	3,5	4,3	27	13
BFF31 90S-8	0,37	0,5	AC4	0,2	0,7	20	5,4	3,7	27	16
BFF31 90L-8	0,55	0,75	AC4	0,2	0,7	20	7,8	2,6	27	18
BFF31 100L1-8	0,75	1	AC5	0,2	0,7	40	10,3	3,9	39	26
BFF31 100L2-8	1,1	1,5	AC5	0,2	0,7	40	15,2	2,6	39	28
BFF31 112M-8	1,5	2	AC6	0,2	0,7	60	20,5	2,9	61	35
BFF31 132S-8	2,2	3	AC7	0,2	0,7	90	29,6	3,0	69	55
BFF31 132M-8	3	4	AC7	0,2	0,7	90	40,4	2,2	69	62
EMF30 160M-8	4	5,5	AC8	0,2	0,7	200	53	3,8	134	120
EMF30 160L1-8	5,5	7,5	AC8	0,2	0,7	200	73	2,7	134	130
EMF30 160L2-8	7,5	10	AC8/D	0,2	0,7	400	100	4,0	134	160
EMF30 180L-8	11	15	AC8/D	0,2	0,7	400	144	2,8	134	179

IM 1001(B3)



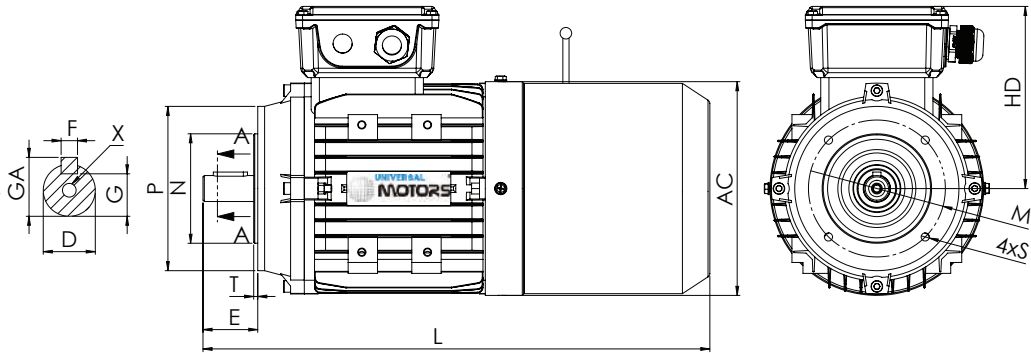
Motor Type	Foot					Shaft						Frame					
	H	A	B	C	K	D	E	F	G	GA	X	AB	BB	AC	HD	L(DC)	L(AC)
71M	71	112	90	45	7	14 j6	30	5	11	16	M3x9	132	104	145	188	307	330
80M	80	125	100	50	10	19 j6	40	6	16	22	M4x10	160	130	165	217	353	370
90S	90	140	100	56	10	24 j6	50	8	20	27	M5x12	185	130	185	235	367	387
90L	90	140	125	56	10	24j6	50	8	20	27		M6x16	185	155	185	235	392
100L	100	160	140	63	12	28 j6	60	8	24	31	M8x19	205	175	205	252	474	497
112M	112	190	140	70	12	28 j6	60	8	24	31		M10x22	230	180	230	292	483
132S	132	216	140	89	12	38 k6	80	10	33	41	M10x22	252	175	270	325	553	578
132M/L	132	216	178	89	12	38 k6	80	10	33	41		M12x28	252	215/225	270	325	564
160M	160	254	210	108	15	42 k6	110	12	37	45	M12x28	320	258	330	420	-	725
160L	160	254	254	108	15	42 k6	110	12	37	45		M16x36	320	305	330	420	-
180M	180	279	241	121	15	48 k6	110	14	42,5	52	M16x36	355	298	380	455	-	835
180L	180	279	279	121	15	48 k6	110	14	42,5	52		M16x36	355	350	380	455	-

IM 3001(B5)



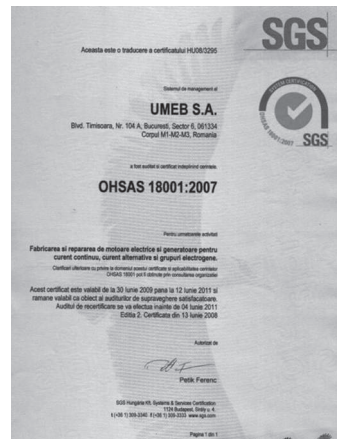
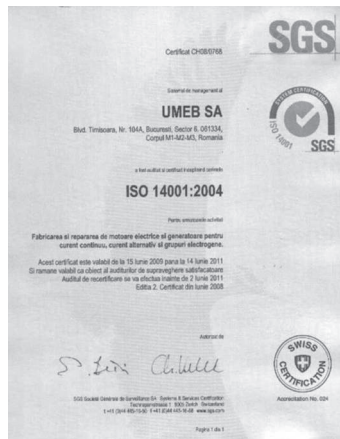
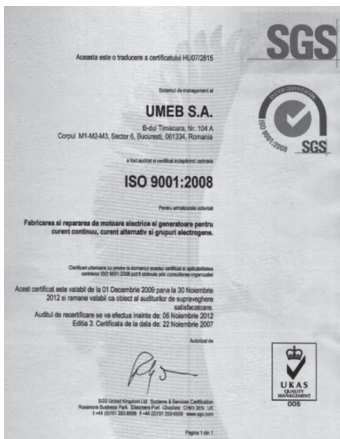
Motor Type	Flange					Shaft						Frame			
	M	N	P	S	T	D	E	F	G	GA	X	AC	HD	L(DC)	L(AC)
71M	130	110	160	10	3,5	14 j6	30	5	11	16	M3x9	145	117	307	330
80M	165	130	200	12	3,5	19 j6	40	6	16	22	M4x10	165	137	353	370
90S	165	130	200	12	3,5	24 j6	50	8	20	27	M5x12	185	145	367	387
90L	165	130	200	12	3,5	24j6	50	8	20	27		M6x16	185	145	392
100L	215	180	250	14,5	4	28 j6	60	8	24	31	M8x19	205	152	474	497
112M	215	180	250	14,5	4	28 j6	60	8	24	31		M10x22	270	193	553
132S	265	230	300	14,5	4	38 k6	80	10	33	41	M10x22	270	193	564	589
132M/L	265	230	300	14,5	4	38 k6	80	10	33	41		M12x28	330	255	-
160M	300	250	350	19	5	42 k6	110	12	37	45	M12x28	330	255	-	795
160L	300	250	350	19	5	42 k6	110	12	37	45		M16x36	380	280	-
180M	300	250	350	19	5	48 k6	110	14	42,5	52	M16x36	380	280	-	875
180L	300	250	350	19	5	48 k6	110	14	42,5	52		M16x36	380	280	-

IM 3601(B14)



Motor Type	Flange					Shaft						Frame			
	M	N	P	S	T	D	E	F	G	GA	X	AC	HD	L(DC)	L(AC)
BF31 71	85	70	105	M6	2,5	14 j6	30	5	11	16	M3x9	145	117	307	330
BF31 80	100	80	120	M6	3	19 j6	40	6	16	22	M4x10	165	137	353	370
BF31 90S	115	95	140	M8	3	24 j6	50	8	20	27	M5x12	185	145	367	387
BF31 90L1/L2	115	95	140	M8	3	24j6	50	8	20	27		M6x16	185	145	392
BF31 100L	130	110	160	M8	3,5	28 j6	60	8	24	31	M8x19	205	152	474	497
BF31 112M	130	110	160	M8	3,5	28 j6	60	8	24	31		230	180	483	502
BF31 132S	165	130	200	M10	3,5	38 k6	80	10	33	41	M10x22	270	193	553	578
BF31 132M/L	165	130	200	M10	4	38 k6	80	10	33	41		270	193	564	589
EMF30 160 M	215	180	242	M12	4	42 k6	110	12	37	45	M12x28	330	255	-	725
EMF30 160 L	160	180	242	M12	4	42 k6	110	12	37	45		330	255	-	795

FLAMEPROOF MOTORS



The data for explosion-proof motors in this catalog are complemented by manufacturer catalog.

Motor Type	Pn	In-400V	Nm	η	Cos ϕ	Ia/In	Ma/Mn	Mk/Mn	J	Lp _A	Weight (Kg)
	kW	A	Rpm	%					Kgm ²	dB(A)	
2 - Poles 3000rpm											
ASA 63a-2	0,18	0,54	2630	63,6	0,75	3,5	3,1	3,1	0,00014	56	11
ASA 63b-2	0,25	0,69	2685	67,8	0,77	3,8	3,1	3,1	0,00018	56	12
ASA 71a-2	0,37	0,94	2700	71,2	0,8	3,4	2,4	2,4	0,00062	66	16
ASA 71b-2	0,55	1,34	2790	72	0,82	3,7	2,7	2,7	0,00085	69	17
ASA 80a-2	0,75	1,72	2700	75	0,84	4,5	2,3	2,6	0,00125	62	21
ASA 80b-2	1,1	2,44	2700	76,6	0,85	4,5	2,5	2,6	0,00133	62	24
ASA 90S-2	1,5	3,28	2675	78,5	0,84	5	2,5	2,5	0,00259	67	30
ASA 90L-2	2,2	4,58	2800	81,5	0,85	5	2,8	2,8	0,00318	67	36
ASA 100L-2	3	5,82	2825	83,6	0,89	5,5	3,1	3,3	0,0053	74	44
ASA 112M-2	4	7,89	2850	86,1	0,85	6,2	3,1	3,1	0,00744	72	65
ASA 132Sa-2	5,5	10,8	2860	86,1	0,85	6,45	3,2	3,2	0,01538	75	85
ASA 132Sb-2	7,5	14,3	2850	87,12	0,87	6,8	3,1	3,2	0,02097	78	88,5
ASA 160Ma-2	11	20,3	2925	88,7	0,88	7	2,3	2,4	0,03267	83	133
ASA 160Mb-2	15	28,0	2925	89,81	0,86	7	2,2	2,4	0,04155	84	172
ASA 160L-2	18,5	34,2	2925	90,5	0,86	7	2,3	2,5	0,05043	84	191
ASA 180M-2	22	39,3	2925	90,8	0,89	7,5	2,6	2,8	0,0959	86	212
ASA 200La-2	30	52,0	2925	91,5	0,91	7	2,4	2,7	0,15335	86	275
ASA 200Lb-2	37	64,4	2925	92,2	0,9	6,7	2,2	2,8	0,16952	86	290
ASA 225M-2	45	78,6	2925	92,85	0,89	7	2	2,5	0,24606	86	360
ASA 250M-2	55	93,6	2940	93,25	0,91	7	2,4	2,45	0,32111	86	435
ASA 280S-2	75	128	2960	94	0,9	7,1	2,3	2,4	0,54955	88	630
ASA 280M-2	90	154	2960	93,92	0,9	7,1	2	2,25	0,61098	92	680
ASA 315S-2	110	185	2960	94,2	0,91	7,5	2,1	2,6	1,03957	94	850
ASA 315M-2	132	222	2960	94,5	0,91	7,5	2,1	2,2	1,28301	95	925
ASA 315MX-2	160	271	2975	94,8	0,9	7,5	2,3	2,4	193.200	95	1170
ASA 315LY-2	200	339	2975	94,69	0,9	7,5	2,3	2,4	217.094	95	1270

ASA

Flameproof motors Ex d/Ex de II CT4



Motor Type	Pn	In-400V	Nm	η	Cos \emptyset	Ia/In	Ma/Mn	Mk/Mn	J	Lp _A	Weight (Kg)
	kW	A	Rpm	%					Kgm ²	dB(A)	
4 - Poles 1500rpm											
ASA 63a-4	0,12	0,40	1295	62,7	0,69	3	2,4	2,4	0,00021	59	12
ASA 63b-4	0,18	0,58	1305	63,5	0,7	3,3	2,7	2,7	0,00027	61	13
ASA 71a-4	0,25	0,77	1420	67,3	0,7	4,1	2,4	2,7	0,00089	62	15
ASA 71b-4	0,37	1,05	1360	71,6	0,71	3,5	2,6	2,6	0,00122	62	16
ASA 80a-4	0,55	1,55	1400	72,1	0,71	4,5	2,3	2,6	0,00178	62	22,5
ASA 80b-4	0,75	2,01	1360	74,66	0,72	4	2,3	2,6	0,00223	62	23
ASA 90S-4	1,1	2,76	1395	76,8	0,75	4,7	2,7	2,6	0,00383	60	28
ASA 90L-4	1,5	3,48	1400	78,8	0,79	4,6	2,3	2,5	0,00504	59	36
ASA 100La-4	2,2	4,96	1420	81,1	0,79	5	2,5	2,6	0,00718	68	43
ASA 100Lb-4	3	6,44	1410	83	0,81	4,8	2,5	2,6	0,00989	67	48
ASA 112M-4	4	7,90	1420	85	0,86	5,8	2,6	2,8	0,01506	67	58
ASA 132S-4	5,5	11,0	1445	87	0,83	6	2,5	2,7	0,03298	64	90
ASA 132M-4	7,5	14,7	1455	87,5	0,84	6,5	2,1	2,3	0,04459	67	103
ASA 160M-4	11	20,3	1450	88,7	0,88	6,3	2,2	2,4	0,07376	67	145
ASA 160L-4	15	27,5	1450	89,5	0,88	6,5	2,3	2,4	0,09395	69	160
ASA 180M-4	18,5	33,9	1450	90,5	0,87	6	2	2,4	0,15058	77	200
ASA 180L-4	22	40,6	1460	91	0,86	6,2	2	2,3	0,16676	79	218
ASA 200L-4	30	54,4	1460	91,5	0,87	7	2	2,6	0,25429	79	300
ASA 225S-4	37	65,6	1460	92,5	0,88	7	2	2,6	0,38739	79	330
ASA 225M-4	45	79,4	1460	93	0,88	7,4	2	2,4	0,45649	82	350
ASA 250M-4	55	96,7	1460	93,3	0,88	7,1	2,5	2,6	0,57024	82	430
ASA 280S-4	75	127	1470	93,8	0,91	7,25	2,4	2,4	0,93753	82	590
ASA 280M-4	90	155	1470	94,1	0,89	7	1,9	2	1,06163	89	690
ASA 315S-4	110	185	1470	94,3	0,91	7,1	2,1	2,2	1,64532	85	800
ASA 315M-4	132	224	1470	94,54	0,9	7	2,3	2,3	1,83922	81	880
ASA 315MX-4	160	280	1480	94,7	0,87	6,5	2,1	2,2	330.965	92	1150
ASA 315LZ-4	200	345	1480	95,21	0,88	6,5	2,1	2,2	412.174	92	1315

Motor Type	P _n	In-400V	N _m	η	Cos φ	I _a /I _n	M _a /M _n	M _k /M _n	J	L _{pA}	Weight (Kg)
	kW	A	Rpm	%					Kgm ²	dB(A)	
6 - Poles 1000rpm											
ASA 71a-6	0,18	0,58	895	61	0,74	3,2	2,3	2,4	0,00175	53	15
ASA 71b-6	0,25	0,77	910	65,5	0,72	3,6	2,5	2,7	0,00221	45	16
ASA 80a-6	0,37	1,09	910	67	0,73	3,6	2	2,5	0,00282	48	22
ASA 80b-6	0,55	1,66	910	68,5	0,7	4	2,2	2,3	0,00399	58	24
ASA 90S-6	0,75	1,99	910	71,5	0,76	3,2	2	3,4	0,00578	56	30
ASA 90L-6	1,1	2,82	910	74	0,76	4	2,4	2,6	0,00764	60	33
ASA 100Lb-6	1,5	3,70	955	77	0,76	4,6	1,9	2,2	0,01239	67	42
ASA 112M-6	2,2	5,29	960	79	0,76	5,7	2,2	2,3	0,02157	63	57
ASA 132S-6	3	6,94	954	81	0,77	5,3	2,7	2,9	0,0361	65	103
ASA 132Ma-6	4	8,81	945	84	0,78	5,5	2,1	2,2	0,04984	66	106
ASA 132Mb-6	5,5	11,5	955	86,5	0,8	6	2,4	2,6	0,07128	57	115
ASA160M-6	7,5	15,6	960	88	0,79	6,5	2	2,1	0,1082	65	145
ASA 160L-6	11	22,7	960	88,5	0,79	6,5	1,9	2	0,14863	67	190
ASA 180L-6	15	30,4	960	89	0,8	6,5	1,8	2	0,25152	73	242
ASA 200La-6	18,5	36,9	960	90,5	0,8	6,7	2	2,5	0,36314	73	300
ASA 200Lb-6	22	42,2	960	91,73	0,82	6,2	2	2,3	0,45198	76	330
ASA 225M-6	30	56,4	965	91,41	0,84	6,9	1,8	2,4	0,68931	76	380
ASA 250M-6	37	68,3	975	92,01	0,85	7,2	2,7	2,7	0,85997	76	400
ASA 280S-6	45	82,1	975	92	0,86	6,2	1,9	2	1,42072	74	560
ASA 280M-6	55	100,1	980	92,2	0,86	6,7	2	2,1	1,61384	76	650
ASA 315S-6	75	134	980	92,78	0,87	7,3	2,4	2,5	2,71489	72	850
ASA 315M-6	90	158	985	93,5	0,88	7,5	2,3	2,4	3,04248	88	925
ASA 315MX-6	110	199	985	93,96	0,85	6,5	2	2,2	525.397	83	1110
ASA 315LX-6	132	235	985	94,2	0,86	6,5	2	2,2	525.397	83	1110
ASA 315LY-6	160	284	985	94,5	0,86	6,5	2	2,2	590.525	89	1210

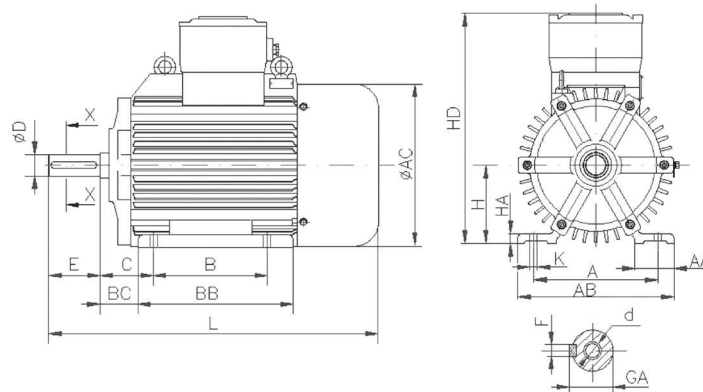
ASA

Flameproof motors Ex d/Ex de II CT4



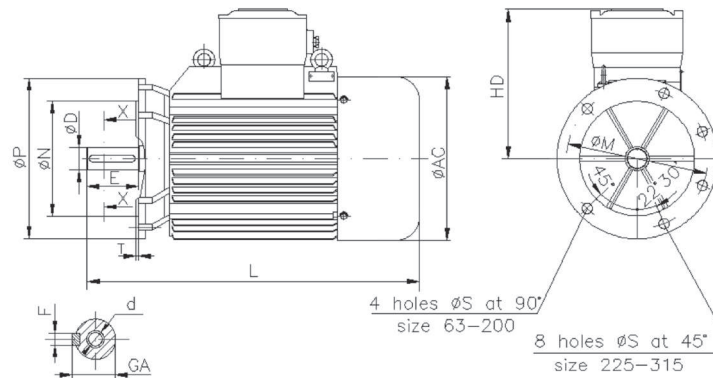
Motor Type	P _n	In-400V	N _m	η	Cos Ø	I _a /I _n	M _a /M _n	M _k /M _n	J	L _{pA}	Weight (Kg)
	kW	A	Rpm	%					Kgm ²	dB(A)	
8 - Poles 750rpm											
ASA 71 -8	0,09	0,45	630	50	0,58	2,9	3	3,3	0,00221	41	16
ASA 80a -8	0,18	0,80	660	53	0,61	2,9	3,1	3,3	0,00282	46	22
ASA 80b -8	0,25	0,91	670	62	0,64	3	3,2	3,3	0,00399	46	24
ASA 90S -8	0,37	1,28	680	66	0,63	3	2,9	3,1	0,00578	50	31
ASA 90L -8	0,55	1,72	690	67	0,69	3,3	2,8	3	0,00764	50	34
ASA 100La-8	0,75	2,24	700	70	0,69	3,8	2	2,3	0,01116	61	40
ASA 100Lb-8	1,1	3,23	705	72,4	0,68	4,1	2	2,3	0,01542	59	44
ASA 112M -8	1,5	4,08	725	74,7	0,71	4,5	1,4	1,9	0,02157	60	58
ASA 132S -8	2,2	5,70	710	78,5	0,71	5,17	1,76	2,13	0,03999	62	95
ASA 132M -8	3	7,23	712	82	0,73	5,84	1,8	1,84	0,05569	63	109
ASA 160Ma-8	4	10,2	720	82	0,69	4,5	1,95	2	0,09365	63	115
ASA 160Mb-8	5,5	13,5	720	84	0,7	5,2	2,1	2,2	0,13246	66	150
ASA 160L -8	7,5	18,2	720	85	0,7	5	2	2,1	0,14863	67	186
ASA 180L -8	11	24,3	720	86	0,76	5	1,8	1,9	0,25152	68	240
ASA 200L -8	15	30,8	720	89,1	0,79	5,2	2	2,3	0,45198	70	320
ASA 225S -8	18,5	36,6	720	90,1	0,81	6,5	1,8	2,2	0,58399	71	345
ASA 225M -8	22	42,6	720	91	0,82	6,5	1,8	2	0,68931	72	350
ASA 250M -8	30	58,7	730	91	0,81	6,5	2,2	2,3	0,85997	72	465
ASA 280S -8	37	73,4	730	91	0,8	4,9	1,8	1,9	1,42072	72	665
ASA 280M -8	45	88,3	730	92	0,8	6,2	2,1	2,5	1,61384	73	720
ASA 315S -8	55	106	730	92,5	0,81	5,9	1,8	1,9	2,71489	79	850
ASA 315M -8	75	142	735	93	0,82	5,5	1,8	2	3,04248	82	925
ASA 315MX-8	90	181	735	93,1	0,77	5,9	1,8	2	525.397	82	1110
ASA 315LY-8	110	218	735	93,3	0,78	5,9	1,8	2	590.525	85	1200
ASA 315LZ-8	132	261	735	93,5	0,78	5,5	1,8	2	590.525	85	1200

IM 1001



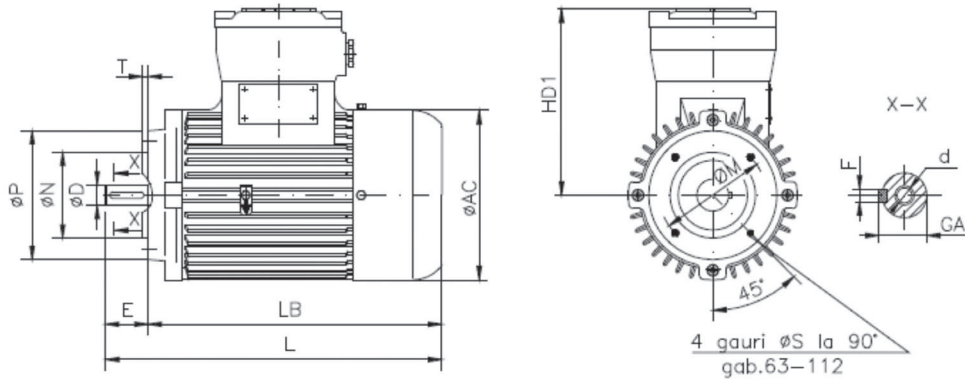
Frame	A	B	C	H	K	D		E		Fh9		GA		d	AA	AB	BB	BC	HA	AC	HD	L			
						nom.	tol.	2p=2	2p>2	2p=2	2p>2	2p=2	2p>2									2p=2	2p>2	2p=2	2p>2
						2p=2	2p>2																		
63	100	80	40	63	7	11	j6	23		4		12,5	M4	31	131	104	28,5	9	125	197	259				
71	112	90	45	71	7	14	j6	30		5		16	M5	37	141	125	33	9	140	222	295				
80	125	100	50	80	10	19	j6	40		6		21,5	M6	35	160	152	35,5	12	158	252	315				
90S	140	100	56	90	10	24	j6	50		8		27	M8	40	180	147	39,5	13	177	268	363				
90L	140	125	56	90	10	24	j6	50		8		27	M8	40	180	172	39,5	13	177	268	363				
100LW	160	140	63	100	12	28	j6	60		8		31	M10	45	200	180	43	14	199	305	412				
100LX	160	140	63	100	12	28	j6	60		8		31	M10	45	200	200	43	14	199	305	437				
112M	190	140	70	112	12	28	j6	60		8		31	M10	45	224	200	50	15	221	328	456				
132S	216	140	89	132	12	38	k6	80		10		41	M12	60	264	200	69	19	263	395	523				
132M	216	178	89	132	12	38	k6	80		10		41	M12	60	264	250	69	19	263	395	570				
160M	254	210	108	160	14.5	42	k6	110		12		45	M16	80	320	300	63	20	317	470	660				
160L	254	254	108	160	14.5	42	k6	110		12		45	M16	80	320	300	63	20	317	470	660				
180M	279	241	121	180	14.5	48	k6	110		14		51,5	M16	80	360	340	71	25	357	520	730				
180L	279	279	121	180	14.5	48	k6	110		14		51,5	M16	80	360	340	71	25	357	520	730				
200L	318	305	133	200	18.5	55	m6	110		16		59	M20	82	400	380	95	25	396	573	800				
225S	356	286	149	225	18.5	55	60	m6	-	140	-	18	-	64	M20	100	440	430	114	20	446	635	-	915	
225M	356	311	149	225	18.5	55	60	m6	110	140	16	18	59	64	M20	100	440	430	114	20	446	635	885	915	
250M	406	349	168	250	24	60	65	m6	140	140	18	18	64	69	M20	120	500	480	114	20	446	660	965	965	
280S	457	368	190	280	24	65	75	m6	140	140	18	20	69	79,5	M20	120	550	460	147	18	500	756	1036	1036	
280M	457	419	190	280	24	65	75	m6	140	140	18	20	69	79,5	M20	120	550	500	147	18	500	756	1076	1076	
315S	508	406	216	315	28	65	80	m6	140	170	18	22	69	85	M20	130	630	528	151,5	27	560	826	1149	1179	
315M	508	457	216	315	28	65	80	m6	140	170	18	22	69	85	M20	130	630	568	151,5	27	560	826	1189	1219	
315MX	508	457	216	315	28	65	80	m6	140	170	18	22	69	85	M20	120	626	588	176	27	620	857	1220	1280	
315LY	508	508	216	315	28	65	80	m6	140	170	18	22	69	85	M20	120	626	588	176	27	620	857	1290	1350	
315LZ	508	508	216	315	28	65	80	m6	140	170	18	22	69	85	M20	120	626	588	176	27	620	857	-	1350	

IM 3001



Frame	M	N	P	S	T	D		E		Fh9		GA		d	AC	HD	L				
						nom.		tol.	2p=2	2p>2	2p=2	2p>2	2p=2				2p>2	2p=2	2p>2	2p=2	2p>2
						2p=2	2p>2														
63	115	95	140	10	3	11	J6	23	4	12,5	M4	125	197	259							
71	130	110	160	10	3,5	14	j6	30	5	16	M5	140	222	295							
80	165	130	200	12	3,5	19	j6	40	6	21,5	M6	158	252	315							
90S	165	130	200	12	3,5	24	j6	50	8	27	M8	177	268	363							
90L	165	130	200	12	3,5	24	j6	50	8	27	M8	177	268	363							
100LW	215	180	250	14,5	4	28	j6	60	8	31	M10	199	305	412							
100LX	215	180	250	14,5	4	28	j6	60	8	31	M10	199	305	437							
112M	215	180	250	14,5	4	28	j6	60	8	31	M10	221	328	456							
132S	265	230	300	14,5	4	38	k6	80	10	41	M12	263	395	523							
132M	265	230	300	14,5	4	38	k6	80	10	41	M12	263	395	570							
160M	300	250	350	18,5	5	42	k6	110	12	45	M16	317	470	660							
160L	300	250	350	18,5	5	42	k6	110	12	45	M16	317	470	660							
180M	300	250	350	18,5	5	48	k6	110	14	51,5	M16	357	520	730							
180L	300	250	350	18,5	5	48	k6	110	14	51,5	M16	357	520	730							
200L	350	300	400	18,5	5	55	m6	110	16	59	M20	396	573	800							
225S	400	350	450	18,5	5	-	60	m6	-	140	-	18	-	64	M20	446	635	-	915		
225M	400	350	450	18,5	5	55	60	m6	110	140	16	18	59	64	M20	446	635	885	915		
250M	500	450	550	18,5	5	60	65	m6	140	140	18	18	64	69	M20	446	660	965	965		
280S	500	450	550	18,5	5	65	75	m6	140	140	18	20	69	79,5	M20	500	756	1036	1036		
280M	500	450	550	18,5	5	65	75	m6	140	140	18	20	69	79,5	M20	500	756	1076	1076		
315S	600	550	660	24	6	65	80	m6	140	170	18	22	69	85	M20	560	826	1149	1179		
315M	600	550	660	24	6	65	80	m6	140	170	18	22	69	85	M20	560	826	1189	1219		
315MX	600	550	660	24	6	65	80	m6	140	170	18	22	69	85	M20	620	857	1220	1280		
315LY	600	550	660	24	6	65	80	m6	140	170	18	22	69	85	M20	620	857	1290	1350		
315LZ	600	550	660	24	6	65	80	m6	140	170	18	22	69	85	M20	620	857	-	1350		

IM 3601



Frame	M	N	P	S	T	D		E	Fh9	GA	d	AC	HD	L
						nom.	tol.							
63	75	60	90	M5	2,5	11	J6	23	4	12,5	M4	125	134	259
71	85	70	105	M6	2,5	14	j6	30	5	16	M5	140	151	295
80	100	80	120	M6	3	19	j6	40	6	21,5	M6	158	172	315
90S	115	95	140	M8	3	24	j6	50	8	27	M8	177	178	363
90L	115	95	140	M8	3	24	j6	50	8	27	M8	177	178	363
100LW	130	110	160	M8	3,5	28	j6	60	8	31	M10	199	205	412
100LX	130	110	160	M8	3,5	28	j6	60	8	31	M10	199	205	437
112M	130	110	160	M8	3,5	28	j6	60	8	31	M10	221	216	456
132S	165	130	200	M10	3,5	38	k6	80	10	41	M12	263	263	523
132M	165	130	200	M10	3,5	38	k6	80	10	41	M12	263	263	570
160M	215	180	250	M12	4	42	k6	110	12	45	M16	317	310	660

Blank page with horizontal dotted lines for writing.

GD 20 Inverter

GD20 series is a general vector inverter, positioned as using the high performance leading international vector control algorithm, with excellent product features, compatible with wall and rail installation, and a smaller size.

Advantages

- DC reactors built into inverters $\geq 18.5\text{kW}$
- Bracking unit is buit into the inverter
- DC bus sharing solution for inverters $\geq 4\text{kW}$

SAFTEY TORQUE FUNCTION STO

Model	Certification standard and grade					
	IEC 61508		EN/ISO 13849-1		EN954-1	
S2:0.4~2.2kW	SIL	2	PL	d	Category	3
2:0.4~0.75kW						
4:0.75~2.2kW						
2:1.5~7.5kW	SIL	3	PL	e	Category	3
4:4~110kW						

Filters

- C3 filters are built into inverters $\geq 4\text{kW}$
- External C2 filters are optional

External Keypad



Technical Characteristics

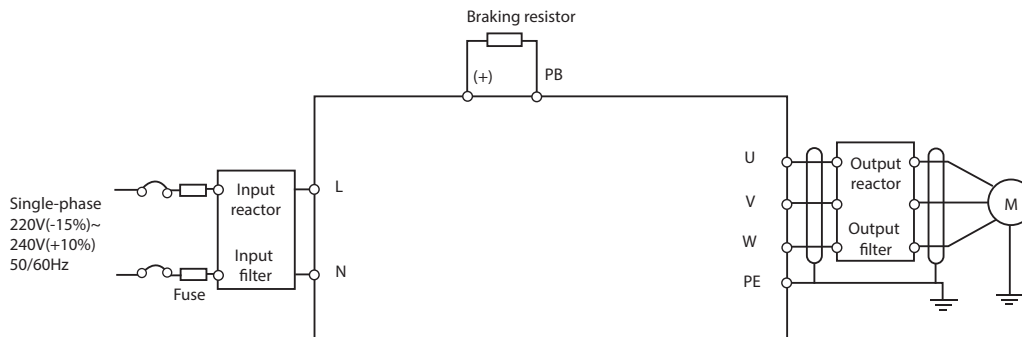
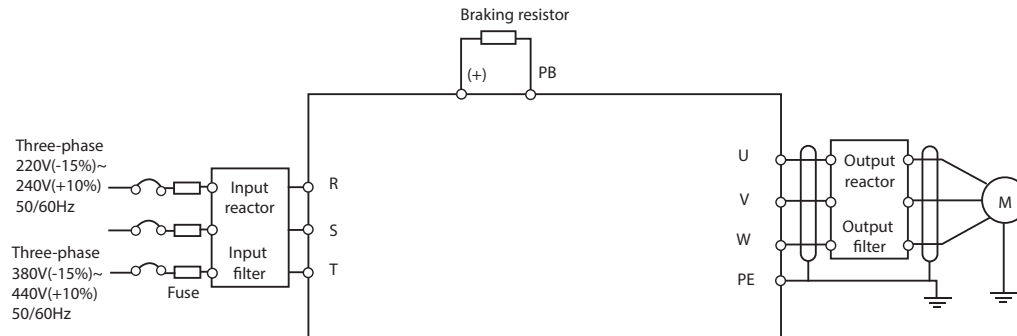
- RS485 communication (2mm)
- PID control
- Motor autotuning
- PLC simple functions
- Multi-step speed control
- V/F curves configuration
- Virtual terminals functions
- Switching ON/OFF delays

TECHNICAL SPECIFICATIONS

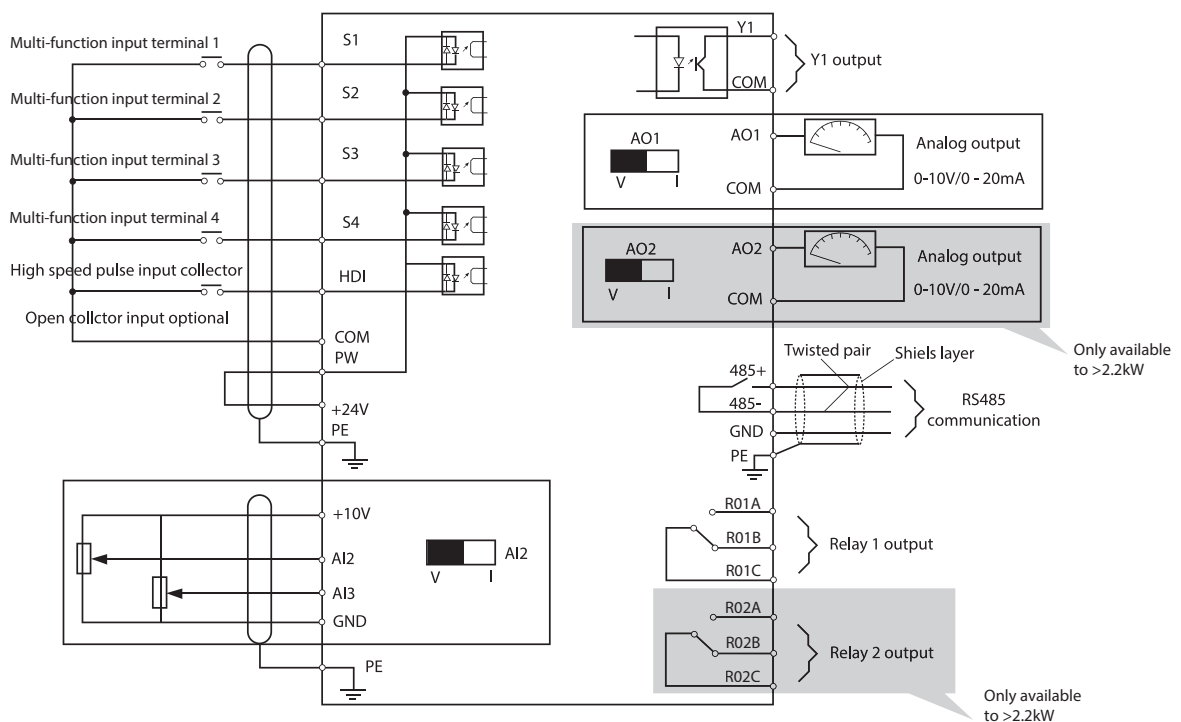
Model	Voltage	Output Power kW	Input Current A	Output Current A
VAR GD20-0R4G-S2	1PH 220V	0.4	6.5	2.5
VAR GD20-0R7G-S2	-	0.75	9.3	4.2
VAR GD20-1R5G-S2	-	1.5	15.7	7.5
VAR GD20-2R2G-S2	-	2.2	24	10
VAR GD20-0R7G-4	3PH 380V	0.75	3.4	2.5
VAR GD20-1R5G-4	-	1.5	5.5	4.2
VAR GD20-2R2G-4	-	2.2	5.8	5.5
VAR GD20-004G-4	-	4	13.5	9.5
VAR GD20-5R5G-4	-	5.5	19.5	14
VAR GD20-7R5G-4	-	7.5	25	18.5
VAR GD20-011G-4	-	11	32	25
VAR GD20-015G-4	-	15	40	32
VAR GD20-018G-4	-	18.5	47	38
VAR GD20-022G-4	-	22	51	45

Function	Specification
Input Voltage	AC 1F 220V(-15%)~240V(+10%)
	AC 3F 220V(-15%)~240V(+10%)
	AC 1F 380V(-15%)~440V(+10%)
Input Current	47Hz~63Hz
Output Frequency	0~400Hz
Control Mode	SVPWM, SVC
Adjustable speed ratio	1:100
Speed Control Accuracy	± 0.2%(SVC)
Speed fluctuation	± 0.3%(SVC)
Torque response	< 20ms(SVC)
Torque control accuracy	10%
Starting torque	0.5Hz / 150%(SVC)
Overload Capability	150% of rated current: 1 minute
	180% of rated current: 10 seconds
	200% of rated current: 1 second
Frequency Setting Method	Digital, Analog, pulse frequency, multi-step, by PLC, PID and MODBUS communication
Auto-adjustment of voltage	Keep a stable voltage
Fault Protection	Provide several fault protection functions: Over Current, Over heating, phase lost, over load...
Analog Input	1 (A2) 0~20mA + 1 (A3) -10V~+10V
Analog Output	1 (AO1) 0~10V/0~20mA
	2 (AO1/AO2) 0~10V/0~20mA ≥2.2kW
Digital Input	4 commons 1kHz
	1 high speed 50kHz
Digital Output	1 terminal output
Relay Output	R01 programmable relay output
	R02 programmable relay output > 2.2kW
	Contact Capacity - 3A - 250VAC
Environment Temperature	-10°C ~ 50°C
IP Protection	IP20
Cooling	Fan Cooling
EMC Filter	C3 filter built-in ≥ 4kW. C2 filter is optional
Braking	Built-in

POWER WIRING DIAGRAM

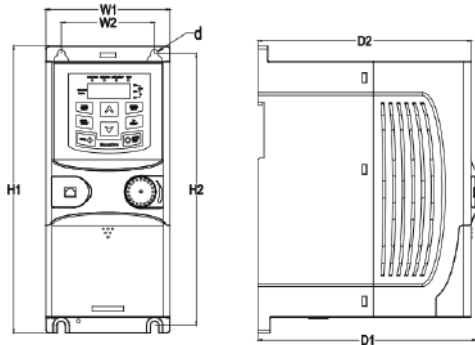


WIRING DIAGRAMS CONTROL CIRCUIT

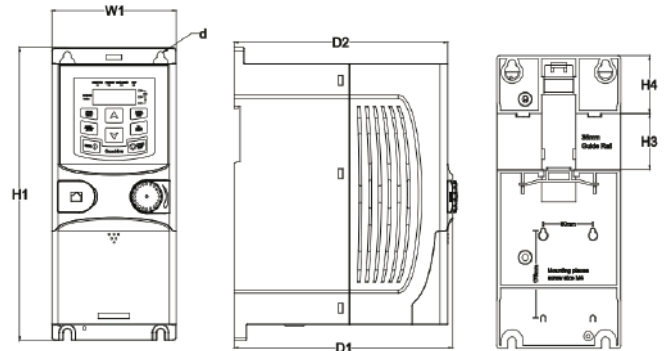


INSTALLATION DIMENSIONS

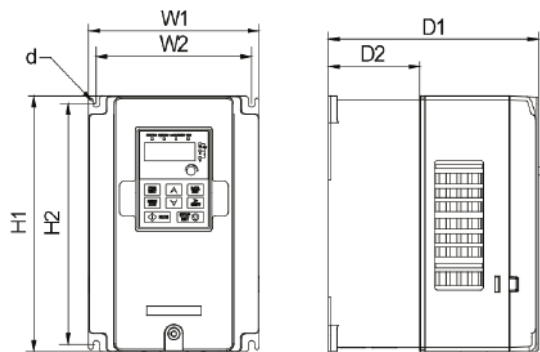
Wall Mounting 0,75-2,2 kW



DIN Rail Mounting <= 2,2 kW



Wall Mounting >= 4 kW



Model	W1	W2	H1	H2	H3	H4	D1	D2	Hole (d)
VAR GD20-0R4G-S2	80.0	60.0	160.0	150.0	35.4	36.6	123.5	120.3	5
VAR GD20-0R7G-S2	80.0	60.0	160.0	150.0	35.4	36.6	123.5	120.3	5
VAR GD20-1R5G-S2	80.0	60.0	185.0	175.0	35.4	36.6	140.5	137.3	5
VAR GD20-2R2G-S2	80.0	60.0	185.0	175.0	35.4	36.6	140.5	137.3	5
VAR GD20-0R7G-4	80.0	60.0	185.0	175.0	35.4	36.6	140.5	137.3	5
VAR GD20-1R5G-4	80.0	60.0	185.0	175.0	35.4	36.6	140.5	137.3	5
VAR GD20-2R2G-4	80.0	60.0	185.0	175.0	35.4	36.6	140.5	137.3	5
VAR GD20-004G-4	146.0	131.0	256.0	243.5	-	-	167.0	84.5	6
VAR GD20-5R5G-4	146.0	131.0	256.0	243.5	-	-	167.0	84.5	6
VAR GD20-7R5G-4	170.0	151.0	320.0	303.5	-	-	196.3	113.0	6
VAR GD20-011G-4	170.0	151.0	320.0	303.5	-	-	196.3	113.0	6
VAR GD20-015G-4	170.0	151.0	320.0	303.5	-	-	196.3	113.0	6
VAR GD20-018G-4	200.0	185.0	340.6	328.6	-	-	184.3	104.5	6
VAR GD20-022G-4	200.0	185.0	340.6	328.6	-	-	184.3	104.5	6

GD 200A Inverter

GD200A series high performance general vector inverter, positioned as a new generation purpose inverter; products using DSP control system and vector V/F control technology, with excellent motor drive performance and various protecting functions, widely used in air compressor, plastic machine, petroleum industry, coal industry, HVAC applications, fan pump and other standard transmission load.

Advantage

- High performance
- Multi-function with simple operation
- Reliable quality certificated

High Performance

- Precise autotuning
- Static/Load autotuning and easy to execute

Perfect voltage and current control, reducing the fault protection times

OC fault

Adjust the output frequency to avoid overcurrent of the inverter during acceleration.

OV fault

Adjust the output frequency to avoid overvoltage of the DC bus during deceleration.

MULTIPLE BRAKING MODES AND INSTANT STOPPING

Dynamic braking

Flux braking

Short circuit braking

MULTI-FUNCTION WITH SIMPLE OPERATION

Separate Air-duct

The separate air duct prevents the contaminants entering the electronics parts and greatly improves the protection within the inverter. This improves reliability and service life even in difficult environments. Control panel manufactures can use this feature to position heat dissipation outlets during design.

Multiple installation modes

0.75~200kW: Wall mounting and flange mounting

200~315kW: Wall mounting and floor mounting

350~500kW: Floor mounting



TECHNICAL SPECIFICATIONS

	Function	Specifications
Input	Input voltage (V)	AC3 PH220V(-15%)~240V(+10%)
		AC3PH380V(-15%)~440V(+10%)
		AC 3PH 520V(-15%)~690V(+10%)
Input	Input current (A)	See rated value
	Input frequency (Hz)	50Hz or 60Hz Allowed range: 47~63Hz
Output	Output voltage (V)	0~input voltage
	Output frequency (A)	See rated value
	Output power (kW)	See rated value
	Output frequency (Hz)	0~400Hz
Control	Control mode	SVPWM, SVC
	Speed ratio	Asynchronous motor 1:100 (SVC)
	Precision speed control	±0.2% (vetorial control sensorless)
	Speed variation	±0.3% (vetorial control sensorless)
	Torque response	<20ms (vetorial control sensorless)
	Precision torque control	10% (vetorial control sensorless)
	Starting torque	Asynchronous motor: 0.5Hz/150%(SVC)
	Overload capability	Type G: 150% of rated current: 1 minute 180% of rated current: 10 seconds
	Frequency setting	Digital, analog, pulse frequency, multi-step, simple PLC, PID, MODBUS communica-
	Auto voltage adjustment	Keep a stable voltage automatically when the grid voltage transients
	Fault protection	Provide over 30 fault protection functions: overcurrent, overvoltage, undervoltage, overheating, phase loss and overload, etc
	Terminal analog input resolution	= 20mV
	Terminal switch input resolution	= 2ms
	Analog input	1 channel (AI2) 0~10V/0~20mA e 1 canal (AI3) -10~10V
	Analog output	2 channels (AO1, AO2) 0~10V /0~20mA
	Digital Input	8 channels. Common input. Max. frequency: 1kHz, internal impedance: 3.3 kQ
		1 channel. High speed input. Max. frequency: 50kHz.
	Digital output	1 channel high speed pulse output. Max. frequency: 50kHz
		1 channel Y - Terminal open collector pole output
	Relay output	2 channels programmable relay output
		RO1A NO, RO1B NC, RO1C common terminal
RO2A NO, RO2B NC, RO2C common terminal		
Contactors capability: 3A/AC250V,1A/DC30V		
Others	Mountable method	Wall, flange and floor mountable
	Temperature of the running environ-	-10~50°C, derate above 40°C
	Ingress protection	IP20
	Cooling	Air-cooling
	Braking unit	Built-in braking unit for below 30G/37P (including 30G/37P) External braking unit for the others output
	EMC filter	Built-in C3 filter: meet the degree requirement of IEC61800-3 C3
Optional external filter ,meet the degree requirement of IEC61800-3 C2		

OPTIONAL PARTS

Separate Air-duct

Needed for 0.75G-30G/37P inverters.
Not needed for 37G/40P-200G/220P inverters.

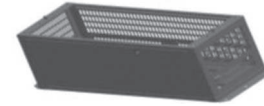


Bracket for the keypad



Installation Base

Only optional in 220G/250P-315G/350P inverters. Its bases can be built in an input AC (or DC) reactance or an output AC reactance.



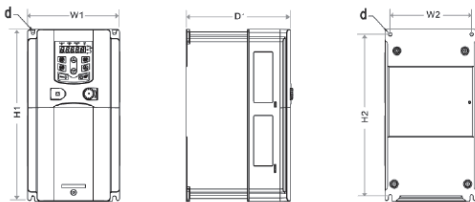
LCD keypad



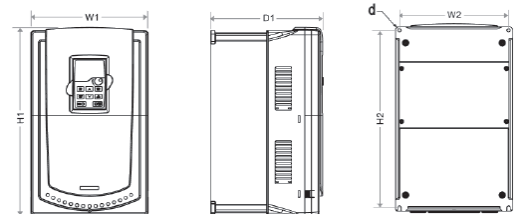
INSTALLATION DIAGRAM

3 Phases 380 V AC (wall mounting for 0,75-315 kW inverters)

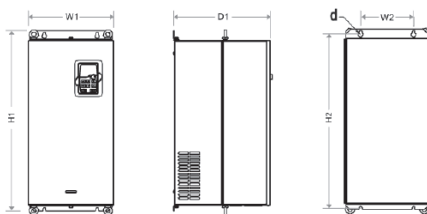
Wall Installation 0,75-15 kW



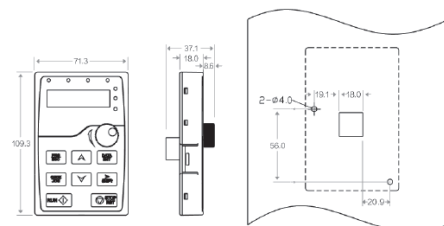
Wall mounting for 18,5-30 kW inverters



Wall Installation 37-160 kW



Keyboard Dimension



INSTALLATION DIMENSION

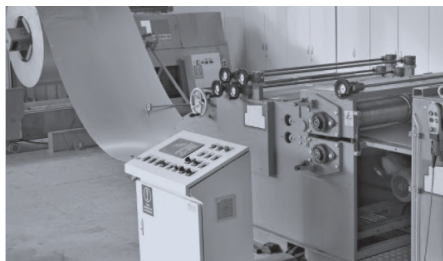
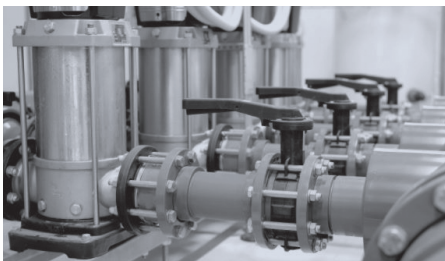
Wall mounting (mm)

	Model	W1	W2	W3	W4	H1	H2	H3	H4	D1	D2	Hole (d)
3-phase 380 V AC	0,75-2,2 kW	126	115	-	-	186	175	-	-	174,5	-	5
	4-5,5 kW	146	131	-	-	256	243,5	-	-	181	-	6
	7,5-15 kW	170	151	-	-	320	303,5	-	-	216	-	6
	18,5 kW	230	210	-	-	342	311	-	-	216	-	6
	22-30 kW	255	237	-	-	407	384	-	-	245	-	7
	37-55 kW	270	130	-	-	555	540	-	-	325	-	7
	75-110 kW	325	200	-	-	680	661	-	-	365	-	9,5
	132-200 kW	500	180	-	-	870	850	-	-	360	-	11

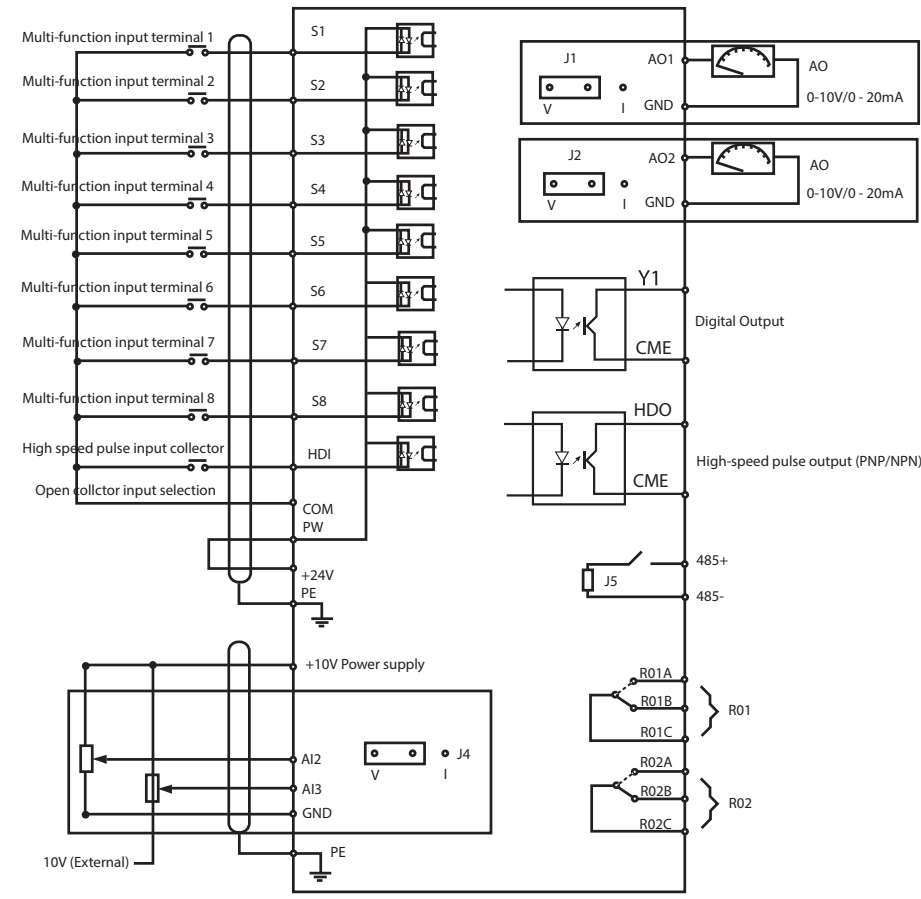
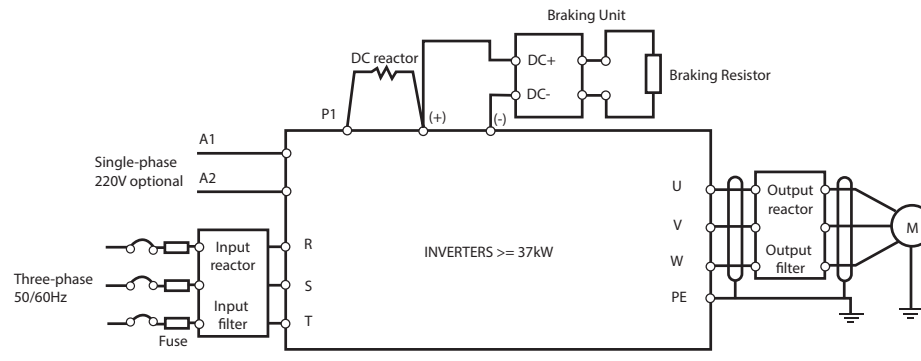
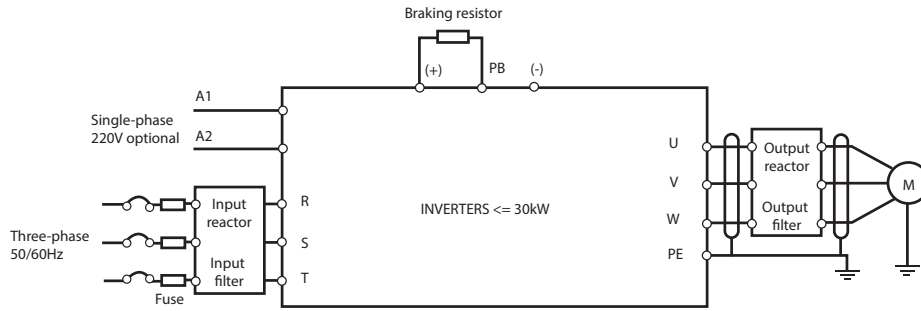
TYPE SELECTION

Model	Output Power (kW)	Input Current (A)	Output Current (A)	Gross Weight (kg)	Dimension (mm)
VAR GD200A-0R7G-4	0.75	3.4	2.5	2.5	275*205*235
VAR GD200A -1R5G-4	1.5	5.0	3.7		
VAR GD200A -2R2G-4	2.2	5.8	5		
VAR GD200A -004G/5R5P-4	4/5.5	13.5/19.5	9.5/14	4.1	360*250*365
VAR GD200A-5R5G/7R5P-4	5.5/7.5	19.5/25	14/18.5		
VAR GD200A -7R5G/011P-4	7.5/11	25/32	18.5/25	7.4	445*295*320
VAR GD200A -011G/015P-4	11/15	32/40	25/32		
VAR GD200A -015G/018P-4	15/18.5	40/47	32/38		
VAR GD200A -018G/022P-4	18.5/22	47/56	38/45		
VAR GD200A -022G/030P-4	22/30	56/70	45/60	9	460*340*330
VAR GD200A -030G/037P-4	30/37	70/80	60/75	11	550*375*375
VAR GD200A -037G/045P-4	37/45	80/94	75/92	32	696*410*470
VAR GD200A -045G/055P-4	45/55	94/128	92/115		
VAR GD200A -055G/075P-4	55/75	128/160	115/150		
VAR GD200A -075G/090P-4	75/90	160/190	150/180	67	760*445*580
VAR GD200A -090G/110P-4	90/110	190/225	180/215		
VAR GD200A -110G/132P-4	110/132	225/265	215/260		
VAR GD200A -132G/160P-4	132/160	265/310	260/305	110	971*631*565
VAR GD200A -160G/185P-4	160/185	310/345	305/340		

MAIN APPLICATIONS



Standard Wiring



CONTROL PANEL

Universal Motors also manufactures all kinds of control panels for system's command and automation using electric motors, of which we highlight pumping and ventilation systems:



Constant pressure systems with or without speed control
(inverters)

Waste water systems

Hvac systems

Pumping systems against fire



Systèmes pour pression constante avec ou sans régulation de vitesse (variateurs)

Systèmes pour eaux résiduaires

Systèmes Hvac

Systèmes pour pompage contre incendies



A series of horizontal dotted lines for writing, spanning the width of the page.



OFFICE AND WAREHOUSE

Unit E2, Meltham Mills Industrial Estate,
Meltham Mills Road, Meltham, Holmfirth
West Yorkshire HD9 4AR, U.K
Tel.: [+440] 1484 660 222
enquiries@universalmotors-group.co.uk
www.universalmotors-group.co.uk

R. Comendador Brandão, 484
4495-375 Póvoa de Varzim
PORTUGAL
Tel.: [+351] 252 299 080
geral@universalmotors.pt
www.universalmotors.pt

Edifício Cacém Park, Arm. 32
Estrada de Paço d'Arcos, 88-A
2735-238 Agualva - Cacém
PORTUGAL
Tel.: [+351] 214 134 728
geral@universalmotors.pt
www.universalmotors.pt

C/La Habana nº 6 nave 4
Polígono Ind Camporroso 28806
Alcala de Henares - Madrid
ESPAÑA
Tel.: [+34] 918 864 213
info@universalmotors-group.es
www.universalmotors-group.es